

VLT® HVAC Drive

FC102-P1K1 3x380-480V

VT 110%; 1,1 kW / 3 A

SP Standard version with class 1A/1B RFI-filter for reduced motorcable lengths

ST Standard version with class 1A/1B RFI-filter

SW ST version + service switch

	Articlenr.	Price GBP	Articlenr.	Price GBP
	SP		ST	
IP20 encl. - no display	131B6591	408	131B7526	423
IP20 encl. + Graphic Display	131B5468	481	131B4207	496

	Articlenr.	Price GBP	Articlenr.	Price GBP	Articlenr.	Price GBP
	SP		ST		SW	
IP55 encl. + Graphic Display	131N9572	582	131N9824	597	131N9376	709
IP66 encl. + Graphic Display	131Z2198	683	131Z2208	696	134G0725	809

Accessories

Sine-Wave Filter IP20	130B2441	210
dU/dT Filter IP20	130B2836	335

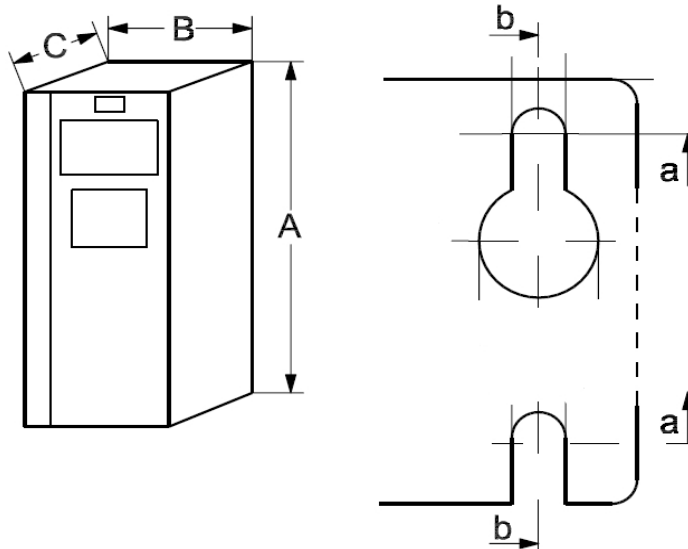
For all other accessories and options see the general FC 102 accessories/options page

Dimensions		A	B	C	a	b	Weight
IP20 enclosure	(type A2)	268	90	205	257	70	4,8 kg
IP55 enclosure	(type A4)	390	200	177	397	171	9,7 kg
IP66 enclosure	(type A4)	390	200	177	397	171	9,7 kg

Minimal space under and above drive: 100 mm

Dimensions excl. options

Max. powerloss (heat dissipation) at full power : 58 Watt



Danfoss VLT Drives

Configure your drive with our Drive Configurator

0870 241 7100

www.driveconfigurator.com

VL^T® HVAC Drive

FC 102 1,1 kW 3x380-480V

FC102	PKxx	T4	Exx	H	x	x	x	x	x	x	x	x	SXXXX	Ax	Bx	Cx	Dx	Price GBP
Power (Basic Price)																		
1,1 kW - 3 A	P1K1																	373
Enclosure IP 20			E20															0
IP55			E55															101
IP66			E66															201
IP55 encl. with backplate			P55															111
RFI-filter A2				2														0
A1/B1 RFI-filter				1														50
A1/B1 RFI-filter (short motorcables)				3														36
Brakeresistor - none					X													0
Brakechopper					B													34
Safe Stop					T													18
Brakechopper + Safe Stop					U													52
Display - none						X												0
with numeric display						N												33
with graphic display						G												73
Coating - none							X											0
incl. coating							C											78
General Options - none								x										0
service switch								1										112
Communication Options - None													AX					0
Profibus													A0					108
DeviceNet													A4					81
LonWorks													AG					108
BACNet													AJ					87
I/O Options - none														BX				0
Analog I/O														B0				87
General I/O														BK				69
Relay option														BP				75
D-options - none																DX		0
24Vdc back-up																D0		46

Because of rounding totalprices can differ from the prices on the other side of this page.

Prices valid as from June 1 2012

VLT® HVAC Drive

FC102-P1K5 3x380-480V

VT 110%; 1,5 kW / 4,1 A

SP Standard version with class 1A/1B RFI-filter for reduced motorcable lengths

ST Standard version with class 1A/1B RFI-filter

SW ST version + service switch

	Articlenr.	Price GBP	Articlenr.	Price GBP
	SP		ST	
IP20 encl. - no display	131B6592	479	131B7529	494
IP20 encl. + Graphic Display	131B5469	552	131B4217	567

	Articlenr.	Price GBP	Articlenr.	Price GBP	Articlenr.	Price GBP
	SP		ST		SW	
IP55 encl. + Graphic Display	131U0963	653	131U0930	668	131U0580	780
IP66 encl. + Graphic Display	131Z2199	754	131X8902	769	134F6768	831

Accessories

Sine-Wave Filter IP20	130B2441	210
dU/dT Filter IP20	130B2836	335

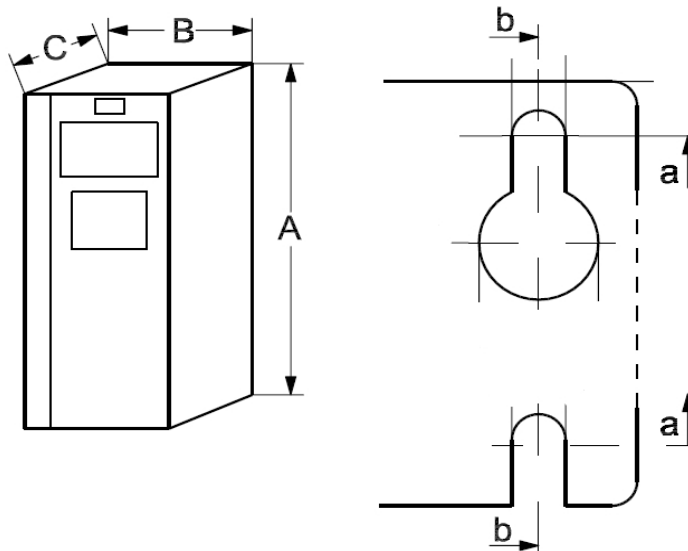
For all other accessories and options see the general FC 102 accessories/options page

Dimensions		A	B	C	a	b	Weight
IP20 enclosure	(type A2)	268	90	205	257	70	4,9 kg
IP55 enclosure	(type A4)	390	200	177	397	171	9,7 kg
IP66 enclosure	(type A4)	390	200	177	397	171	9,7 kg

Minimal space under and above drive: 100 mm

Dimensions excl. options

Max. powerloss (heat dissipation) at full power : 62 Watt



Danfoss VLT Drives

Configure your drive with our Drive Configurator

0870 241 7100

www.driveconfigurator.com

VLT® HVAC Drive

FC 102 1,5 kW 3x380-480V

FC102	PKxx	T4	Exx	H	x	x	x	x	x	x	x	x	SXXXX	Ax	Bx	Cx	Dx	Price GBP
Power (Basic Price)																		
1,5 kW - 4,1 A	P1K5																	438
Enclosure IP 20			E20															0
IP55			E55															101
IP66			E66															201
IP55 encl. with backplate			P55															111
RFI-filter A2				2														0
A1/B1 RFI-filter				1														56
A1/B1 RFI-filter (short motorcables)				3														41
Brakeresistor - none					X													0
Brakechopper					B													41
Safe Stop					T													21
Brakechopper + Safe Stop					U													63
Display - none					X													0
with numeric display					N													33
with graphic display					G													73
Coating - none						X												0
incl. coating						C												78
General Options - none								x										0
service switch								1										112
Communication Options - None														AX				0
Profibus														A0				108
DeviceNet														A4				81
LonWorks														AG				108
BACNet														AJ				87
I/O Options - none															BX			0
Analog I/O															B0			87
General I/O															BK			69
Relay option															BP			75
D-options - none																	DX	0
24Vdc back-up																	D0	46

Because of rounding totalprices can differ from the prices on the other side of this page.
 Prices valid as from June 1 2012

VLT® HVAC Drive

FC102-P2K2 3x380-480V

VT 110%; 2,2 kW / 5,6 A

SP Standard version with class 1A/1B RFI-filter for reduced motorcable lengths

ST Standard version with class 1A/1B RFI-filter

SW ST version + service switch

	Articlenr.	Price GBP	Articlenr.	Price GBP
	SP		ST	
IP20 encl. - no display	131B6593	593	131B7275	612
IP20 encl. + Graphic Display	131B5470	666	131B4218	685

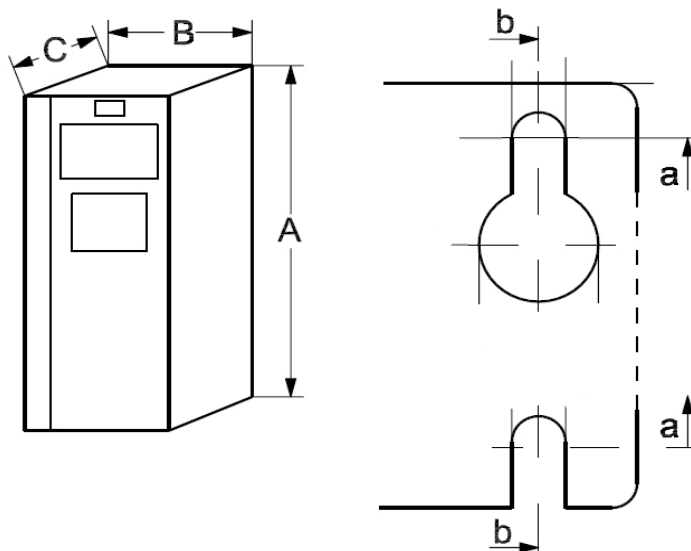
	Articlenr.	Price GBP	Articlenr.	Price GBP	Articlenr.	Price GBP
	SP		ST		SW	
IP55 encl. + Graphic Display	131U0964	766	131U0931	785	131N9375	898
IP66 encl. + Graphic Display	131Z2200	867	131Z2209	886	134G1933	999

Accessories

Sine-Wave Filter IP20	130B2443	242
dU/dT Filter IP20	130B2836	335

For all other accessories and options see the general FC 102 accessories/options page

Dimensions		A	B	C	a	b	Weight
IP20 enclosure	(type A2)	268	90	205	257	70	4,9 kg
IP55 enclosure	(type A4)	390	200	177	397	171	9,7 kg
IP66 enclosure	(type A4)	390	200	177	397	171	9,7 kg
Minimal space under and above drive: 100 mm							
Dimensions excl. options							
Max. powerloss (heat dissipation) at full power :					88 Watt		



Danfoss VLT Drives

Configure your drive with our Drive Configurator

0870 241 7100

www.driveconfigurator.com

VLTR[®] HVAC Drive

FC 102 2,2 kW 3x380-480V

FC102	PKxx	T4	Exx	H	x	x	x	x	x	x	x	x	SXXXX	Ax	Bx	Cx	Dx	Price GBP
Power (Basic Price)																		
2,2 kW - 5,6 A	P2K2																	542
Enclosure IP 20			E20															0
IP55			E55															101
IP66			E66															201
IP55 encl. with backplate			P55															111
RFI-filter A2				2														0
A1/B1 RFI-filter				1														70
A1/B1 RFI-filter (short motorcables)				3														51
Brakeresistor - none					X													0
Brakechopper					B													52
Safe Stop					T													25
Brakechopper + Safe Stop					U													77
Display - none						X												0
with numeric display						N												33
with graphic display						G												73
Coating - none							X											0
incl. coating							C											78
General Options - none								x										0
service switch								1										112
Communication Options - None													AX					0
Profibus													A0					108
DeviceNet													A4					81
LonWorks													AG					108
BACNet													AJ					87
I/O Options - none														BX				0
Analog I/O														B0				87
General I/O														BK				69
Relay option														BP				75
D-options - none																DX		0
24Vdc back-up																D0		46

Because of rounding totalprices can differ from the prices on the other side of this page.
 Prices valid as from June 1 2012

VLT® HVAC Drive

FC102-P3K0 3x380-480V

VT 110%; 3 kW / 7,2 A

SP Standard version with class 1A/1B RFI-filter for reduced motorcable lengths

ST Standard version with class 1A/1B RFI-filter

SW ST version + service switch

	Articlenr.	Price GBP	Articlenr.	Price GBP
	SP		ST	
IP20 encl. - no display	131B6594	668	131B7532	689
IP20 encl. + Graphic Display	131B5471	741	131B4219	762

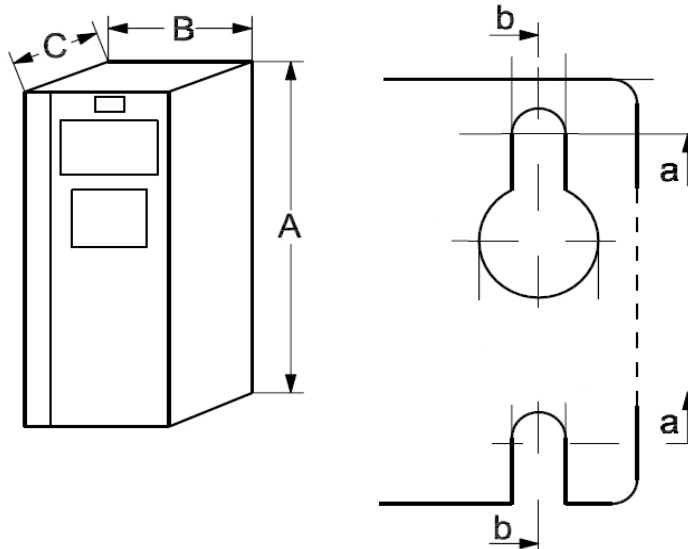
	Articlenr.	Price GBP	Articlenr.	Price GBP	Articlenr.	Price GBP
	SP		ST		SW	
IP55 encl. + Graphic Display	131U0965	842	131U0929	863	131U5081	975
IP66 encl. + Graphic Display	131Z2201	942	131X9921	964	134F6769	1015

Accessories

Sine-Wave Filter IP20	130B2443	242
dU/dT Filter IP20	130B2836	335

For all other accessories and options see the general FC 102 accessories/options page

Dimensions		A	B	C	a	b	Weight
IP20 enclosure	(type A2)	268	90	205	257	70	4,9 kg
IP55 enclosure	(type A4)	390	200	177	397	171	9,7 kg
IP66 enclosure	(type A4)	390	200	177	397	171	9,7 kg
Minimal space under and above drive: 100 mm							
Dimensions excl. options							
Max. powerloss (heat dissipation) at full power :					116 Watt		



Danfoss VLT Drives

Configure your drive with our Drive Configurator

0870 241 7100

www.driveconfigurator.com

VLTR HVAC Drive

FC 102 3 kW 3x380-480V

FC102	PKxx	T4	Exx	H	x	x	x	x	x	x	x	x	SXXXX	Ax	Bx	Cx	Dx	Price GBP
Power (Basic Price)																		
3 kW - 7,2 A	P3K0																	611
Enclosure IP 20			E20															0
IP55			E55															101
IP66			E66															201
IP55 encl. with backplate			P55															111
RFI-filter A2				2														0
A1/B1 RFI-filter				1														78
A1/B1 RFI-filter (short motorcables)				3														57
Brakeresistor - none					X													0
Brakechopper					B													57
Safe Stop					T													31
Brakechopper + Safe Stop					U													88
Display - none					X													0
with numeric display					N													33
with graphic display					G													73
Coating - none						X												0
incl. coating						C												78
General Options - none							x											0
service switch							1											112
Communication Options - None													AX					0
Profibus													A0					108
DeviceNet													A4					81
LonWorks													AG					108
BACNet													AJ					87
I/O Options - none														BX				0
Analog I/O														B0				87
General I/O														BK				69
Relay option														BP				75
D-options - none																DX		0
24Vdc back-up																D0		46

Because of rounding totalprices can differ from the prices on the other side of this page.

Prices valid as from June 1 2012

VLT® HVAC Drive

FC102-P4K0 3x380-480V

VT 110%; 4 kW / 10 A

SP Standard version with class 1A/1B RFI-filter for reduced motorcable lengths

ST Standard version with class 1A/1B RFI-filter

SW ST version + service switch

	Articlenr.	Price GBP	Articlenr.	Price GBP
	SP		ST	
IP20 encl. - no display	131B6595	718	131B7535	741
IP20 encl. + Graphic Display	131B5472	791	131B3489	814

	Articlenr.	Price GBP	Articlenr.	Price GBP	Articlenr.	Price GBP
	SP		ST		SW	
IP55 encl. + Graphic Display	131U0966	891	131U0932	915	131N203	1027
IP66 encl. + Graphic Display	131Z2202	992	131Z2210	1015	134G0726	1128

Accessories

Sine-Wave Filter IP20	130B2444	283
dU/dT Filter IP20	130B2836	335

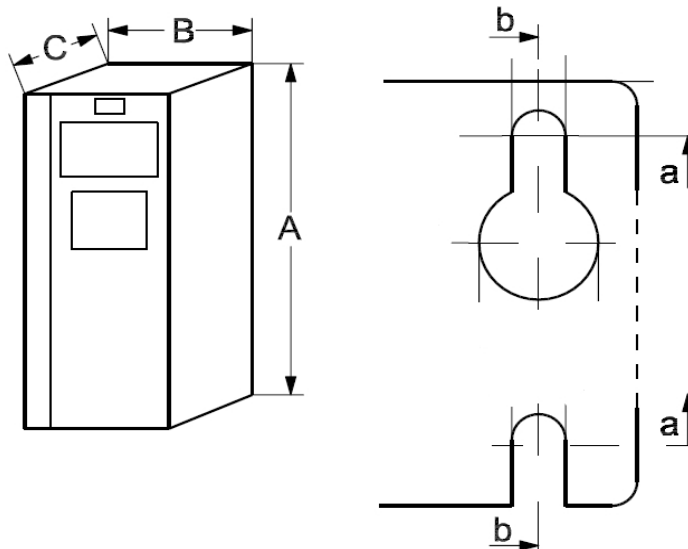
For all other accessories and options see the general FC 102 accessories/options page

Dimensions		A	B	C	a	b	Weight
IP20 enclosure	(type A2)	268	90	205	257	70	4,9 kg
IP55 enclosure	(type A4)	390	200	177	397	171	9,7 kg
IP66 enclosure	(type A4)	390	200	177	397	171	9,7 kg

Minimal space under and above drive: 100 mm

Dimensions excl. options

Max. powerloss (heat dissipation) at full power : 124 Watt



Danfoss VLT Drives

Configure your drive with our Drive Configurator

0870 241 7100

www.driveconfigurator.com

VLT® HVAC Drive

FC 102 4 kW 3x380-480V

FC102	PKxx	T4	Exx	H	x	x	x	x	x	x	x	x	SXXXX	Ax	Bx	Cx	Dx	Price GBP
Power (Basic Price)																		
4 kW - 10 A	P4K0																	655
Enclosure IP 20			E20															0
IP55			E55															101
IP66			E66															201
IP55 encl. with backplate			P55															111
RFI-filter A2				2														0
A1/B1 RFI-filter				1														87
A1/B1 RFI-filter (short motorcables)				3														63
Brakeresistor - none					X													0
Brakechopper					B													63
Safe Stop					T													33
Brakechopper + Safe Stop					U													95
Display - none						X												0
with numeric display						N												33
with graphic display						G												73
Coating - none							X											0
incl. coating							C											78
General Options - none								x										0
service switch								1										112
Communication Options - None														AX				0
Profibus														A0				108
DeviceNet														A4				81
LonWorks														AG				108
BACNet														AJ				87
I/O Options - none															BX			0
Analog I/O															B0			87
General I/O															BK			69
Relay option															BP			75
D-options - none																	DX	0
24Vdc back-up																	D0	46

Because of rounding totalprices can differ from the prices on the other side of this page.
 Prices valid as from June 1 2012

VLT® HVAC Drive

FC102-P5K5 3x380-480V

VT 110%; 5,5 kW / 13 A

SP Standard version with class 1A/1B RFI-filter for reduced motorcable lengths

ST Standard version with class 1A/1B RFI-filter

SW ST version + service switch

	Articlenr.	Price GBP	Articlenr.	Price GBP
	SP		ST	
IP20 encl. - no display	131B6597	840	131B7537	868
IP20 encl. + Graphic Display	131B5473	913	131B4220	941

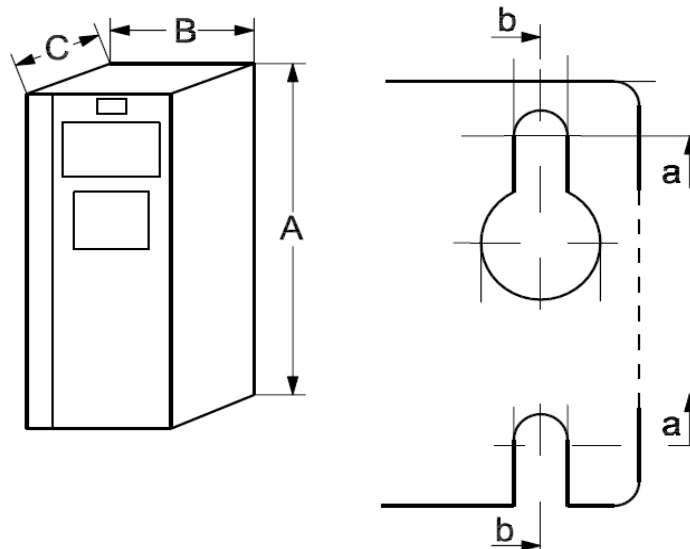
	Articlenr.	Price GBP	Articlenr.	Price GBP	Articlenr.	Price GBP
	SP		ST		SW	
IP55 encl. + Graphic Display	131L9238	1013	131L9220	1042	131L9232	1154
IP66 encl. + Graphic Display	131B9300	1114	131B7636	1142	131F8191	1254

Accessories

Sine-Wave Filter IP20	130B2446	311
dU/dT Filter IP20	130B2836	335

For all other accessories and options see the general FC 102 accessories/options page

Dimensions		A	B	C	a	b	Weight
IP20 enclosure	(type A3)	268	130	205	257	110	6,6 kg
IP55 enclosure	(type A5)	420	242	195	402	215	14,2 kg
IP66 enclosure	(type A5)	420	242	195	402	215	14,2 kg
Minimal space under and above drive: 100 mm							
Dimensions excl. options							
Max. powerloss (heat dissipation) at full power :					187 Watt		



Danfoss VLT Drives

Configure your drive with our Drive Configurator

0870 241 7100

www.driveconfigurator.com

VL^T® HVAC Drive

FC 102 5,5 kW 3x380-480V

FC102	PKxx	T4	Exx	H	x	x	x	x	x	x	x	x	SXXXX	Ax	Bx	Cx	Dx	Price GBP
Power (Basic Price)																		
5,5 kW - 13 A	P5K5																	765
Enclosure IP 20			E20															0
IP55			E55															101
IP66			E66															201
IP55 encl. with backplate			P55															111
RFI-filter A2				2														0
A1/B1 RFI-filter				1														103
A1/B1 RFI-filter (short motorcables)				3														74
Brakeresistor - none					X													0
Brakechopper					B													74
Safe Stop					T													38
Brakechopper + Safe Stop					U													112
Display - none					X													0
with numeric display					N													33
with graphic display					G													73
Coating - none						X												0
incl. coating						C												78
General Options - none								x										0
service switch								1										112
Communication Options - None													AX					0
Profibus													A0					108
DeviceNet													A4					81
LonWorks													AG					108
BACNet													AJ					87
I/O Options - none														BX				0
Analog I/O														B0				87
General I/O														BK				69
Relay option														BP				75
D-options - none																DX		0
24Vdc back-up																D0		46

Because of rounding totalprices can differ from the prices on the other side of this page.
 Prices valid as from June 1 2012

VLT® HVAC Drive

FC102-P7K5 3x380-480V

VT 110%; 7,5 kW / 16 A

SP Standard version with class 1A/1B RFI-filter for reduced motorcable lengths

ST Standard version with class 1A/1B RFI-filter

SW ST version + service switch

	Articlenr.	Price GBP	Articlenr.	Price GBP
	SP		ST	
IP20 encl. - no display	131B6598	952	131B7546	985
IP20 encl. + Graphic Display	131B5474	1025	131B3603	1058

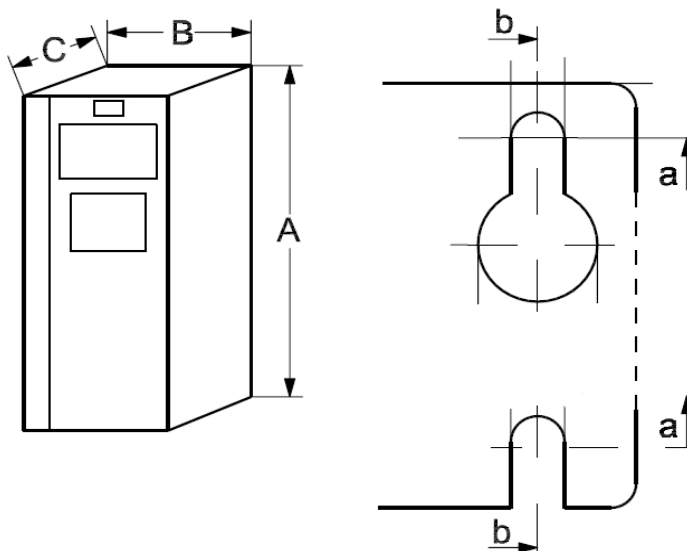
	Articlenr.	Price GBP	Articlenr.	Price GBP	Articlenr.	Price GBP
	SP		ST		SW	
IP55 encl. + Graphic Display	131L9239	1126	131L9221	1093	131L5086	1271
IP66 encl. + Graphic Display	131B9307	1226	131B7613	1188	131H1778	1372

Accessories

Sine-Wave Filter IP20	130B2446	311
dU/dT Filter IP20	130B2836	335

For all other accessories and options see the general FC 102 accessories/options page

Dimensions		A	B	C	a	b	Weight
IP20 enclosure	(type A3)	268	130	205	257	110	6,6 kg
IP55 enclosure	(type A5)	420	242	195	402	215	14,2 kg
IP66 enclosure	(type A5)	420	242	195	402	215	14,2 kg
Minimal space under and above drive: 100 mm							
Dimensions excl. options							
Max. powerloss (heat dissipation) at full power :					255 Watt		



Danfoss VLT Drives

Configure your drive with our Drive Configurator

0870 241 7100

www.driveconfigurator.com

VLT® HVAC Drive

FC 102 7,5 kW 3x380-480V

FC102	PKxx	T4	Exx	H	x	x	x	x	x	x	x	x	SXXXX	Ax	Bx	Cx	Dx	Price GBP
Power (Basic Price)																		
7,5 kW - 16 A	P7K5																	866
Enclosure IP 20			E20															0
IP55			E55															101
IP66			E66															201
IP55 encl. with backplate			P55															111
RFI-filter A2				2														0
A1/B1 RFI-filter				1														119
A1/B1 RFI-filter (short motorcables)				3														87
Brakeresistor - none					X													0
Brakechopper					B													87
Safe Stop					T													42
Brakechopper + Safe Stop					U													128
Display - none						X												0
with numeric display						N												33
with graphic display						G												73
Coating - none							X											0
incl. coating							C											78
General Options - none								x										0
service switch								1										112
Communication Options - None													AX					0
Profibus													A0					108
DeviceNet													A4					81
LonWorks													AG					108
BACNet													AJ					87
I/O Options - none														BX				0
Analog I/O														B0				87
General I/O														BK				69
Relay option														BP				75
D-options - none																DX		0
24Vdc back-up																D0		46

Because of rounding totalprices can differ from the prices on the other side of this page.

Prices valid as from June 1 2012

VLT® HVAC Drive

FC102-P11K 3x380-480V

VT 110%; 11 kW / 24 A

SP Standard version with class 1A/1B RFI-filter for reduced motorcable lengths

ST Standard version with class 1A/1B RFI-filter

SW ST version + service switch

	Articlenr.	Price GBP	Articlenr.	Price GBP
	SP		ST	
IP20 encl. - no display	131F9952	1249	131F8649	1289
IP20 encl. + Graphic Display	131F8307	1322	131F0427	1362

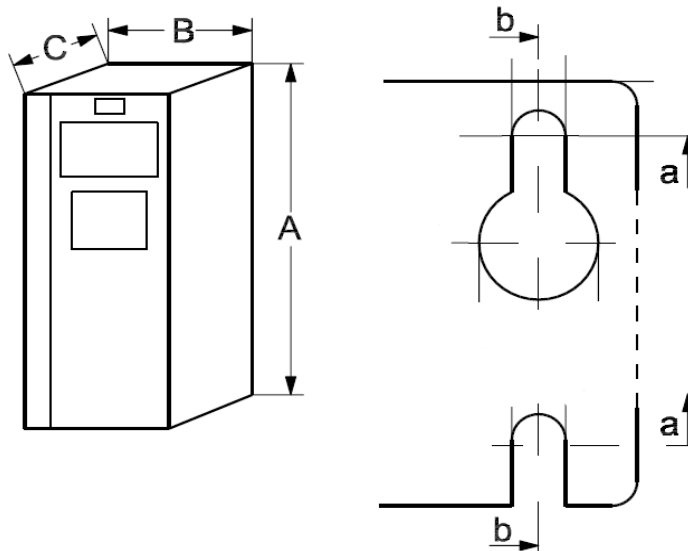
	Articlenr.	Price GBP	Articlenr.	Price GBP	Articlenr.	Price GBP
	SP		ST		SW	
IP55 encl. + Graphic Display	131L9240	1488	131L9222	1527	131L5087	1711
IP66 encl. + Graphic Display	131B9308	1580	131B8102	1621	131H1780	1804

Accessories

Sine-Wave Filter IP20	130B2447	484
dU/dT Filter IP20	130B2836	335

For all other accessories and options see the general FC 102 accessories/options page

Dimensions		A	B	C	a	b	Weight
IP20 enclosure	(type B3)	399	165	249	380	140	12 kg
IP55 enclosure	(type B1)	480	242	260	454	210	23 kg
IP66 enclosure	(type B1)	480	242	260	454	210	23 kg
Minimal space under and above drive: 200 mm							
Dimensions excl. options							
Max. powerloss (heat dissipation) at full power :					278 Watt		



Danfoss VLT Drives

Configure your drive with our Drive Configurator

0870 241 7100

www.driveconfigurator.com

VLTR[®] HVAC Drive

FC 102 11 kW 3x380-480V

FC102	PKxx	T4	Exx	H	x	x	x	x	x	x	x	SXXXX	Ax	Bx	Cx	Dx	Price GBP
Power (Basic Price)																	
11 kW - 24 A	P11K																1125
Enclosure IP 20			E20														0
IP21			E21														102
IP55			E55														165
IP66			E66														259
IP21 encl. with backplate			P21														113
IP55 encl. with backplate			P55														179
RFI-filter A2				2													0
A1/B1 RFI-filter				1													164
A1/B1 RFI-filter (short motorcables)				3													124
Brakeresistor - none					X												0
Brakechopper					B												106
Safe Stop					T												50
Brakechopper + Safe Stop					U												156
Display - none						X											0
with numeric display						N											33
with graphic display						G											73
Coating - none							X										0
incl. coating							C										78
General Options - none								x									0
service switch								1									183
Service switch + Loadsharing								8									259
Loadsharing								D									74
Communication Options - None													AX				0
Profibus													A0				108
DeviceNet													A4				81
LonWorks													AG				108
BACNet													AJ				87
I/O Options - none														BX			0
Analog I/O														B0			87
General I/O														BK			69
Relay option														BP			75
D-options - none																DX	0
24Vdc back-up																D0	46

Because of rounding totalprices can differ from the prices on the other side of this page.

Prices valid as from June 1 2012

VLT® HVAC Drive

FC102-P15K 3x380-480V

VT 110%; 15 kW / 32 A

SP Standard version with class 1A/1B RFI-filter for reduced motorcable lengths

ST Standard version with class 1A/1B RFI-filter

SW ST version + service switch

	Articlenr.	Price GBP	Articlenr.	Price GBP
	SP		ST	
IP20 encl. - no display	131F9953	1425	131F7659	1464
IP20 encl. + Graphic Display	131F8308	1498	131F6631	1537

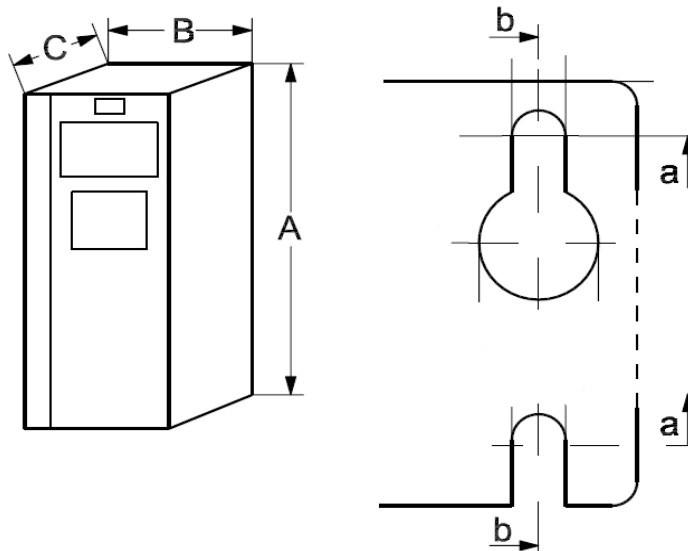
	Articlenr.	Price GBP	Articlenr.	Price GBP	Articlenr.	Price GBP
	SP		ST		SW	
IP55 encl. + Graphic Display	131L9241	1688	131L9223	1728	131L5088	1911
IP66 encl. + Graphic Display	131B9317	1801	131B8173	1841	131H1781	2025

Accessories

Sine-Wave Filter IP20	130B2448	675
dU/dT Filter IP20	130B2836	335

For all other accessories and options see the general FC 102 accessories/options page

Dimensions		A	B	C	a	b	Weight
IP20 enclosure	(type B3)	399	165	249	380	140	12 kg
IP55 enclosure	(type B1)	480	242	260	454	210	23 kg
IP66 enclosure	(type B1)	480	242	260	454	210	23 kg
Minimal space under and above drive: 200 mm							
Dimensions excl. options							
Max. powerloss (heat dissipation) at full power :					392 Watt		



Danfoss VLT Drives

Configure your drive with our Drive Configurator

0870 241 7100

www.driveconfigurator.com

VLTR[®] HVAC Drive

FC 102 15 kW 3x380-480V

FC102	PKxx	T4	Exx	H	x	x	x	x	x	x	x	SXXXX	Ax	Bx	Cx	Dx	Price GBP
Power (Basic Price)																	
15 kW - 32 A	P15K																1294
Enclosure IP 20			E20														0
IP21			E21														122
IP55			E55														190
IP66			E66														303
IP21 encl. with backplate			P21														134
IP55 encl. with backplate			P55														205
RFI-filter A2				2													0
A1/B1 RFI-filter				1													170
A1/B1 RFI-filter (short motorcables)				3													129
Brakeresistor - none					X												0
Brakechopper					B												118
Safe Stop					T												57
Brakechopper + Safe Stop					U												175
Display - none						X											0
with numeric display						N											33
with graphic display						G											73
Coating - none							X										0
incl. coating							C										78
General Options - none								x									0
service switch								1									183
Service switch + Loadsharing								8									269
Loadsharing								D									86
Communication Options - None													AX				0
Profibus													A0				108
DeviceNet													A4				81
LonWorks													AG				108
BACNet													AJ				87
I/O Options - none															BX		0
Analog I/O															B0		87
General I/O															BK		69
Relay option															BP		75
D-options - none																DX	0
24Vdc back-up																D0	46

Because of rounding totalprices can differ from the prices on the other side of this page.

Prices valid as from June 1 2012

VLT® HVAC Drive

FC102-P18K 3x380-480V

VT 110%; 18,5 kW / 37,5 A

SP Standard version with class 1A/1B RFI-filter for reduced motorcable lengths

ST Standard version with class 1A/1B RFI-filter

SW ST version + service switch

	Articlenr.	Price GBP	Articlenr.	Price GBP
	SP		ST	
IP20 encl. - no display	131F9955	1803	131F8652	1839
IP20 encl. + Graphic Display	131G0433	1876	131F6632	1912

	Articlenr.	Price GBP	Articlenr.	Price GBP	Articlenr.	Price GBP
	SP		ST		SW	
IP55 encl. + Graphic Display	131L9242	2115	131L9224	2151	131L5089	2334
IP66 encl. + Graphic Display	131B9318	2261	131B6981	2296	131F2673	2479

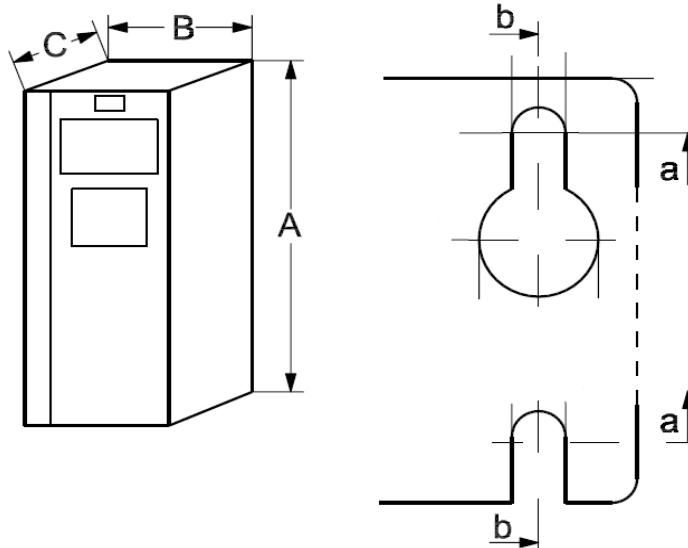
Accessories

Sine-Wave Filter IP20 130B2448 675

dU/dT Filter IP20 130B2836 335

For all other accessories and options see the general FC 102 accessories/options page

Dimensions		A	B	C	a	b	Weight
IP20 enclosure	(type B3)	399	165	249	380	140	12 kg
IP55 enclosure	(type B1)	480	242	260	454	210	23 kg
IP66 enclosure	(type B1)	480	242	260	454	210	23 kg
Minimal space under and above drive: 200 mm							
Dimensions excl. options							
Max. powerloss (heat dissipation) at full power :					465 Watt		



Danfoss VLT Drives

Configure your drive with our Drive Configurator

0870 241 7100

www.driveconfigurator.com

VL[®] HVAC Drive

FC 102 18,5 kW 3x380-480V

FC102	PKxx	T4	Exx	H	x	x	x	x	x	x	x	SXXXX	Ax	Bx	Cx	Dx	Price GBP
Power (Basic Price)																	
18,5 kW - 37,5 A	P18K																1646
Enclosure IP 20			E20														0
IP21			E21														154
IP55			E55														237
IP66			E66														384
IP21 encl. with backplate			P21														165
IP55 encl. with backplate			P55														252
RFI-filter A2				2													0
A1/B1 RFI-filter				1													193
A1/B1 RFI-filter (short motorcables)				3													158
Brakeresistor - none					X												0
Brakechopper					B												149
Safe Stop					T												73
Brakechopper + Safe Stop					U												223
Display - none						X											0
with numeric display						N											33
with graphic display						G											73
Coating - none							X										0
incl. coating							C										78
General Options - none								x									0
service switch								1									183
Service switch + Loadsharing								8									275
Loadsharing								D									91
Communication Options - None													AX				0
Profibus													A0				108
DeviceNet													A4				81
LonWorks													AG				108
BACNet													AJ				87
I/O Options - none															BX		0
Analog I/O															B0		87
General I/O															BK		69
Relay option															BP		75
D-options - none																DX	0
24Vdc back-up																D0	46

Because of rounding totalprices can differ from the prices on the other side of this page.

Prices valid as from June 1 2012

VLT® HVAC Drive

FC102-P22K 3x380-480V

VT 110%; 22 kW / 44 A

SP Standard version with class 1A/1B RFI-filter for reduced motorcable lengths

ST Standard version with class 1A/1B RFI-filter

SW ST version + service switch

	Articlenr.	Price GBP	Articlenr.	Price GBP
	SP		ST	
IP20 encl. - no display	131F9919	2120	131F9917	2157
IP20 encl. + Graphic Display	131F9921	2193	131F6629	2230

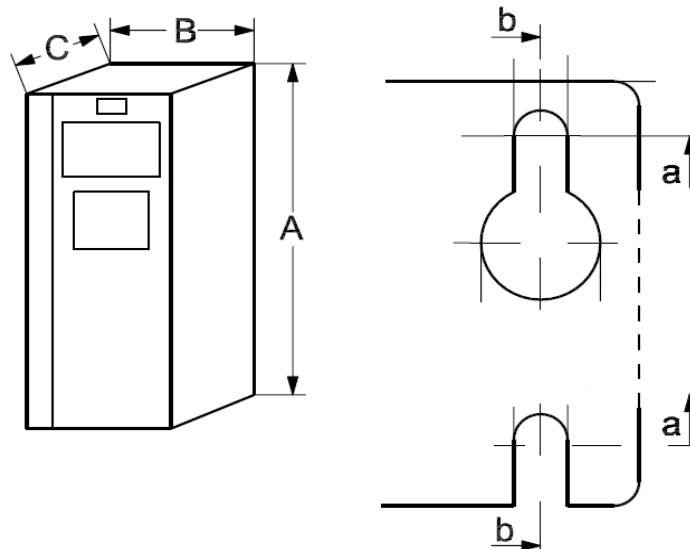
	Articlenr.	Price GBP	Articlenr.	Price GBP	Articlenr.	Price GBP
	SP		ST		SW	
IP55 encl. + Graphic Display	131L9243	2473	131L9225	2510	131L5090	2693
IP66 encl. + Graphic Display	131B9320	2647	131B8231	2684	131H1783	2867

Accessories

Sine-Wave Filter IP20	130B2307	1181
dU/dT Filter IP20	130B2836	335

For all other accessories and options see the general FC 102 accessories/options page

Dimensions		A	B	C	a	b	Weight
IP20 enclosure	(type B4)	520	230	242	495	200	23,5 kg
IP55 enclosure	(type B2)	650	242	260	624	210	27 kg
IP66 enclosure	(type B2)	650	242	260	624	210	27 kg
Minimal space under and above drive: 200 mm							
Dimensions excl. options							
Max. powerloss (heat dissipation) at full power :					525 Watt		



Danfoss VLT Drives

Configure your drive with our Drive Configurator

0870 241 7100

www.driveconfigurator.com

VL[®] HVAC Drive

FC 102 22 kW 3x380-480V

FC102	PKxx	T4	Exx	H	x	x	x	x	x	x	x	SXXXX	Ax	Bx	Cx	Dx	Price GBP
Power (Basic Price)																	
22 kW - 44 A	P22K																1938
Enclosure IP 20			E20														0
IP21			E21														182
IP55			E55														280
IP66			E66														454
IP21 encl. with backplate			P21														193
IP55 encl. with backplate			P55														294
RFI-filter A2				2													0
A1/B1 RFI-filter				1													218
A1/B1 RFI-filter (short motorcables)				3													182
Brakeresistor - none					X												0
Brakechopper					B												170
Safe Stop					T												86
Brakechopper + Safe Stop					U												256
Display - none						X											0
with numeric display						N											32
with graphic display						G											73
Coating - none							X										0
incl. coating							C										79
General Options - none								x									0
service switch								1									184
Service switch + Loadsharing								8									291
Loadsharing								D									107
Communication Options - None													AX				0
Profibus													A0				108
DeviceNet													A4				81
LonWorks													AG				108
BACNet													AJ				86
I/O Options - none														BX			0
Analog I/O														B0			86
General I/O														BK			69
Relay option														BP			76
D-options - none																DX	0
24Vdc back-up																D0	46

Because of rounding totalprices can differ from the prices on the other side of this page.

Prices valid as from June 1 2012

VLT® HVAC Drive

FC102-P30K 3x380-480V

VT 110%; 30 kW / 61 A

SP Standard version with class 1A/1B RFI-filter for reduced motorcable lengths

ST Standard version with class 1A/1B RFI-filter

SW ST version + service switch

	Articlenr.	Price GBP	Articlenr.	Price GBP
	SP		ST	
IP20 encl. - no display	131F9924	2479	131F9922	2516
IP20 encl. + Graphic Display	131F9926	2552	131B5945	2590

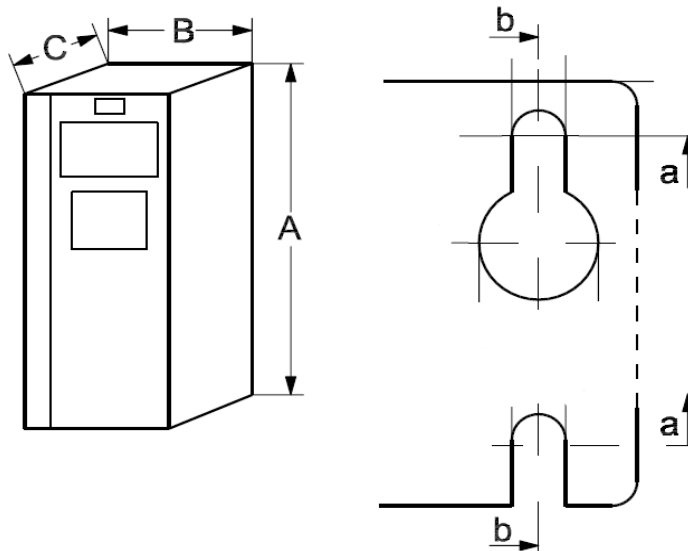
	Articlenr.	Price GBP	Articlenr.	Price GBP	Articlenr.	Price GBP
	SP		ST		SW	
IP55 encl. + Graphic Display	131L9244	2879	131L9226	2915	131L5091	3098
IP66 encl. + Graphic Display	131B9323	3081	131B8015	3119	131F6032	3302

Accessories

Sine-Wave Filter IP20	130B2308	1181
dU/dT Filter IP20	130B2839	594

For all other accessories and options see the general FC 102 accessories/options page

Dimensions		A	B	C	a	b	Weight
IP20 enclosure	(type B4)	520	230	242	495	200	23,5 kg
IP55 enclosure	(type B2)	650	242	260	624	210	27 kg
IP66 enclosure	(type B2)	650	242	260	624	210	27 kg
Minimal space under and above drive: 200 mm							
Dimensions excl. options							
Max. powerloss (heat dissipation) at full power :					698 Watt		



Danfoss VLT Drives

Configure your drive with our Drive Configurator

0870 241 7100

www.driveconfigurator.com

VLTR® HVAC Drive

FC 102 30 kW 3x380-480V

FC102	PKxx	T4	Exx	H	x	x	x	x	x	x	x	SXXXX	Ax	Bx	Cx	Dx	Price GBP
Power (Basic Price)																	
30 kW - 61 A	P30K																2265
Enclosure IP 20			E20														0
IP21			E21														212
IP55			E55														325
IP66			E66														528
IP21 encl. with backplate			P21														224
IP55 encl. with backplate			P55														339
RFI-filter A2				2													0
A1/B1 RFI-filter				1													252
A1/B1 RFI-filter (short motorcables)				3													215
Brakeresistor - none					X												0
Brakechopper					B												191
Safe Stop					T												101
Brakechopper + Safe Stop					U												292
Display - none						X											0
with numeric display						N											33
with graphic display						G											73
Coating - none							X										0
incl. coating							C										78
General Options - none								x									0
service switch								1									183
Service switch + Loadsharing								8									298
Loadsharing								D									114
Communication Options - None													AX				0
Profibus													A0				108
DeviceNet													A4				81
LonWorks													AG				108
BACNet													AJ				87
I/O Options - none															BX		0
Analog I/O															B0		87
General I/O															BK		69
Relay option															BP		75
D-options - none																DX	0
24Vdc back-up																D0	46

Because of rounding totalprices can differ from the prices on the other side of this page.
 Prices valid as from June 1 2012

VLT® HVAC Drive

FC102-P37K 3x380-480V

VT 110%; 37 kW / 73 A

SP Standard version with class 1A/1B RFI-filter for reduced motorcable lengths

ST Standard version with class 1A/1B RFI-filter

SW ST version + service switch

	Articlenr.	Price GBP	Articlenr.	Price GBP
	SP		ST	
IP20 encl. - no display	131F9929	3014	131F9927	3046
IP20 encl. + Graphic Display	131F9931	3087	131F6630	3120

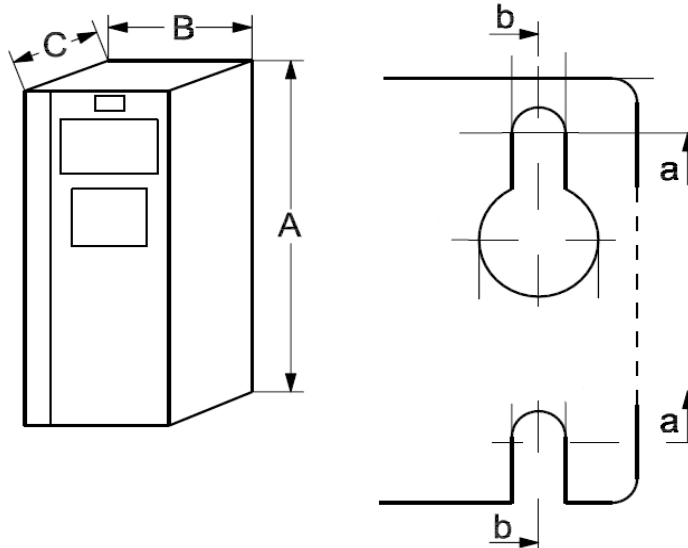
	Articlenr.	Price GBP	Articlenr.	Price GBP	Articlenr.	Price GBP
	SP		ST		SW	
IP55 encl. + Graphic Display	131B6976	3409	131B7008	3442	131B7598	3712
IP66 encl. + Graphic Display	131F2566	3667	131F4795	3698	131H1785	3969

Accessories

Sine-Wave Filter IP20	130B2309	1612
dU/dT Filter IP20	130B2839	594

For all other accessories and options see the general FC 102 accessories/options page

Dimensions		A	B	C	a	b	Weight
IP20 enclosure	(type B4)	520	230	242	495	200	23,5 kg
IP55 enclosure	(type C1)	680	308	310	648	272	45 kg
IP66 enclosure	(type C1)	680	308	310	648	272	45 kg
Minimal space under and above drive: 200 mm							
Dimensions excl. options							
Max. powerloss (heat dissipation) at full power :					739 Watt		



Danfoss VLT Drives

Configure your drive with our Drive Configurator

0870 241 7100

www.driveconfigurator.com

VLTR[®] HVAC Drive

FC 102 37 kW 3x380-480V

FC102	PKxx	T4	Exx	H	x	x	x	x	x	x	x	SXXXX	Ax	Bx	Cx	Dx	Price GBP
Power (Basic Price)																	
37 kW - 73 A	P37K																2788
Enclosure IP 20			E20														0
IP21			E21														258
IP55			E55														322
IP66			E66														579
IP21 encl. with backplate			P21														272
IP55 encl. with backplate			P55														340
RFI-filter A2				2													0
A1/B1 RFI-filter				1													259
A1/B1 RFI-filter (short motorcables)				3													229
Brakeresistor - none					X												0
Brakechopper					B												241
Safe Stop					T												124
Brakechopper + Safe Stop					U												366
Display - none						X											0
with numeric display						N											33
with graphic display						G											73
Coating - none							X										0
incl. coating							C										159
General Options - none								x									0
service switch								1									270
Service switch + Loadsharing								8									401
Loadsharing								D									130
Communication Options - None													AX				0
Profibus													A0				108
DeviceNet													A4				81
LonWorks													AG				108
BACNet													AJ				87
I/O Options - none														BX			0
Analog I/O														B0			87
General I/O														BK			69
Relay option														BP			75
D-options - none																DX	0
24Vdc back-up																D0	46

Because of rounding totalprices can differ from the prices on the other side of this page.
 Prices valid as from June 1 2012

VLT® HVAC Drive

FC102-P45K 3x380-480V

VT 110%; 45 kW / 90 A

SP Standard version with class 1A/1B RFI-filter for reduced motorcable lengths

ST Standard version with class 1A/1B RFI-filter

SW ST version + service switch

	Articlenr.	Price GBP	Articlenr.	Price GBP
	SP		ST	
IP20 encl. - no display	131F9934	3696	131F9932	3733
IP20 encl. + Graphic Display	131F9936	3769	131F0340	3806

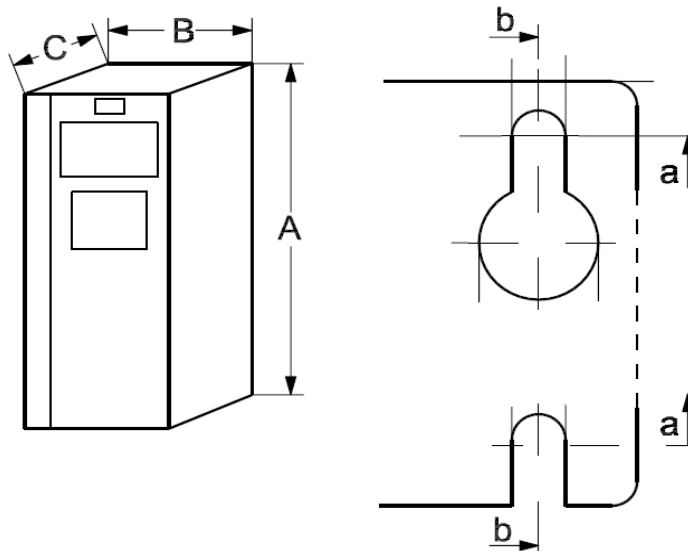
	Articlenr.	Price GBP	Articlenr.	Price GBP	Articlenr.	Price GBP
	SP		ST		SW	
IP55 encl. + Graphic Display	131B7017	4166	131B7015	4202	131B7600	4472
IP66 encl. + Graphic Display	131F1202	4482	131F1272	4519	131H1786	4789

Accessories

Sine-Wave Filter IP20	130B3181	2191
dU/dT Filter IP20	130B2839	594

For all other accessories and options see the general FC 102 accessories/options page

Dimensions		A	B	C	a	b	Weight
IP20 enclosure	(type C3)	550	308	333	521	270	35 kg
IP55 enclosure	(type C1)	680	308	310	648	272	45 kg
IP66 enclosure	(type C1)	680	308	310	648	272	45 kg
Minimal space under and above drive: 200 mm							
Dimensions excl. options							
Max. powerloss (heat dissipation) at full power :					843 Watt		



Danfoss VLT Drives

Configure your drive with our Drive Configurator

0870 241 7100

www.driveconfigurator.com

VLTR® HVAC Drive

FC 102 45 kW 3x380-480V

FC102	PKxx	T4	Exx	H	x	x	x	x	x	x	x	SXXXX	Ax	Bx	Cx	Dx	Price GBP
Power (Basic Price)																	
45 kW - 90 A	P45K																3425
Enclosure IP 20			E20														0
IP21			E21														317
IP55			E55														395
IP66			E66														712
IP21 encl. with backplate			P21														332
IP55 encl. with backplate			P55														413
RFI-filter A2				2													0
A1/B1 RFI-filter				1													308
A1/B1 RFI-filter (short motorcables)				3													271
Brakeresistor - none					X												0
Brakechopper					B												297
Safe Stop					T												153
Brakechopper + Safe Stop					U												449
Display - none						X											0
with numeric display						N											33
with graphic display						G											73
Coating - none							X										0
incl. coating							C										159
General Options - none								x									0
service switch								1									270
Service switch + Loadsharing								8									406
Loadsharing								D									136
Communication Options - None													AX				0
Profibus													A0				108
DeviceNet													A4				81
LonWorks													AG				108
BACNet													AJ				87
I/O Options - none															BX		0
Analog I/O															B0		87
General I/O															BK		69
Relay option															BP		75
D-options - none																DX	0
24Vdc back-up																D0	46

Because of rounding totalprices can differ from the prices on the other side of this page.
 Prices valid as from June 1 2012

VLT® HVAC Drive

FC102-P55K 3x380-480V

VT 110%; 55 kW / 106 A

SP Standard version with class 1A/1B RFI-filter for reduced motorcable lengths

ST Standard version with class 1A/1B RFI-filter

SW ST version + service switch

	Articlenr.	Price GBP	Articlenr.	Price GBP
	SP		ST	
IP20 encl. - no display	131F9939	4487	131F9937	4533
IP20 encl. + Graphic Display	131F9941	4560	131F0341	4606

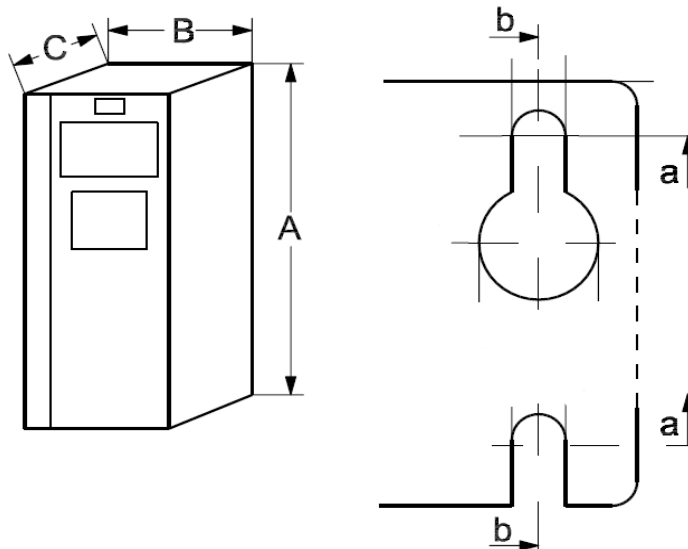
	Articlenr.	Price GBP	Articlenr.	Price GBP	Articlenr.	Price GBP
	SP		ST		SW	
IP55 encl. + Graphic Display	131B7027	5035	131B7025	5081	131B7602	5351
IP66 encl. + Graphic Display	131F3320	5416	131F5337	5461	131H1788	5731

Accessories

Sine-Wave Filter IP20	130B3181	2191
dU/dT Filter IP20	130B2842	778

For all other accessories and options see the general FC 102 accessories/options page

Dimensions		A	B	C	a	b	Weight
IP20 enclosure	(type C3)	550	308	333	521	270	35 kg
IP55 enclosure	(type C1)	680	308	310	648	272	45 kg
IP66 enclosure	(type C1)	680	308	310	648	272	45 kg
Minimal space under and above drive: 200 mm							
Dimensions excl. options							
Max. powerloss (heat dissipation) at full power :				1083 Watt			



Danfoss VLT Drives

Configure your drive with our Drive Configurator

0870 241 7100

www.driveconfigurator.com

VLTR[®] HVAC Drive

FC 102 55 kW 3x380-480V

FC102	PKxx	T4	Exx	H	x	x	x	x	x	x	x	SXXXX	Ax	Bx	Cx	Dx	Price GBP
Power (Basic Price)																	
55 kW - 106 A	P55K																4117
Enclosure IP 20			E20														0
IP21			E21														381
IP55			E55														475
IP66			E66														854
IP21 encl. with backplate			P21														395
IP55 encl. with backplate			P55														493
RFI-filter A2				2													0
A1/B1 RFI-filter				1													416
A1/B1 RFI-filter (short motorcables)				3													371
Brakeresistor - none					X												0
Brakechopper					B												355
Safe Stop					T												183
Brakechopper + Safe Stop					U												540
Display - none						X											0
with numeric display						N											33
with graphic display						G											73
Coating - none							X										0
incl. coating							C										159
General Options - none								x									0
service switch								1									270
Service switch + Loadsharing								8									429
Loadsharing								D									159
Communication Options - None													AX				0
Profibus													A0				108
DeviceNet													A4				81
LonWorks													AG				108
BACNet													AJ				87
I/O Options - none														BX			0
Analog I/O														B0			87
General I/O														BK			69
Relay option														BP			75
D-options - none																DX	0
24Vdc back-up																D0	46

Because of rounding totalprices can differ from the prices on the other side of this page.
 Prices valid as from June 1 2012

VLT® HVAC Drive

FC102-P75K 3x380-480V

VT 110%; 75 kW / 147 A

SP Standard version with class 1A/1B RFI-filter for reduced motorcable lengths

ST Standard version with class 1A/1B RFI-filter

SW ST version + service switch

	Articlenr.	Price GBP	Articlenr.	Price GBP
	SP		ST	
IP20 encl. - no display	131F9944	5181	131F9942	5236
IP20 encl. + Graphic Display	131F9946	5254	131F0342	5310

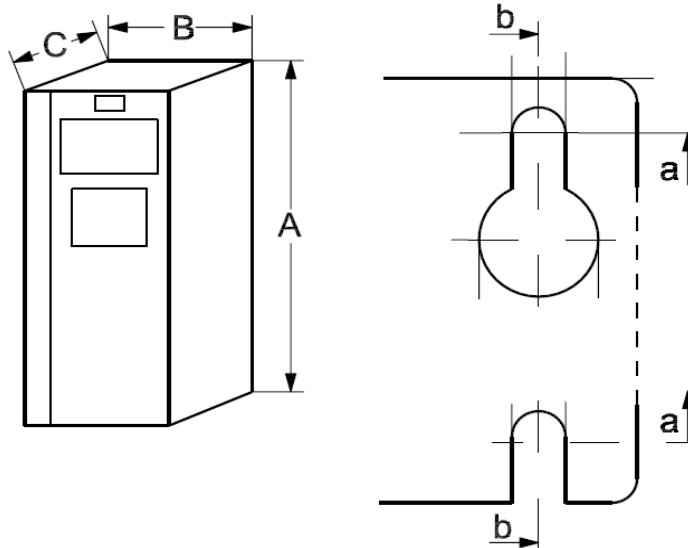
	Articlenr.	Price GBP	Articlenr.	Price GBP	Articlenr.	Price GBP
	SP		ST		SW	
IP55 encl. + Graphic Display	131B9364	5796	131B8595	5851	131F0420	6261
IP66 encl. + Graphic Display	131F3302	6229	131F4041	6284	131H1789	6694

Accessories

Sine-Wave Filter IP20	130B3183	3163
dU/dT Filter IP20	130B2845	1188

For all other accessories and options see the general FC 102 accessories/options page

Dimensions		A	B	C	a	b	Weight
IP20 enclosure	(type C4)	660	370	333	631	330	50 kg
IP55 enclosure	(type C2)	770	370	335	739	334	65 kg
IP66 enclosure	(type C2)	770	370	335	739	334	65 kg
Minimal space under and above drive: 225 mm							
Dimensions excl. options							
Max. powerloss (heat dissipation) at full power :					1,3 kW		



Danfoss VLT Drives

Configure your drive with our Drive Configurator

0870 241 7100

www.driveconfigurator.com

VLTR[®] HVAC Drive

FC 102 75 kW 3x380-480V

FC102	PKxx	T4	Exx	H	x	x	x	x	x	x	x	SXXXX	Ax	Bx	Cx	Dx	Price GBP
Power (Basic Price)																	
75 kW - 147 A	P75K																4685
Enclosure IP 20			E20														
IP21			E21														434
IP55			E55														542
IP66			E66														973
IP21 encl. with backplate			P21														448
IP55 encl. with backplate			P55														560
RFI-filter A2				2													0
A1/B1 RFI-filter				1													551
A1/B1 RFI-filter (short motorcables)				3													496
Brakeresistor - none					X												0
Brakechopper					B												405
Safe Stop					T												209
Brakechopper + Safe Stop					U												614
Display - none						X											0
with numeric display						N											33
with graphic display						G											73
Coating - none							X										0
incl. coating							C										159
General Options - none								x									0
service switch								1									410
Loadsharing								D									180
Communication Options - None													AX				0
Profibus													A0				108
DeviceNet													A4				81
LonWorks													AG				108
BACNet													AJ				87
I/O Options - none														BX			0
Analog I/O														B0			87
General I/O														BK			69
Relay option														BP			75
D-options - none																DX	0
24Vdc back-up																D0	46

Because of rounding totalprices can differ from the prices on the other side of this page.
 Prices valid as from June 1 2012

VLT® HVAC Drive

FC102-P90K 3x380-480V

VT 110%; 90 kW / 177 A

SP Standard version with class 1A/1B RFI-filter for reduced motorcable lengths

ST Standard version with class 1A/1B RFI-filter

SW ST version + service switch

	Articlenr.	Price GBP	Articlenr.	Price GBP
	SP		ST	
IP20 encl. - no display	131F9949	6084	131F9947	6140
IP20 encl. + Graphic Display	131F9951	6158	131F0343	6213

	Articlenr.	Price GBP	Articlenr.	Price GBP	Articlenr.	Price GBP
	SP		ST		SW	
IP55 encl. + Graphic Display	131F1568	6780	131B6204	6833	131F7936	7243
IP66 encl. + Graphic Display	131F9171	7275	131F7721	7330	131H1790	7740

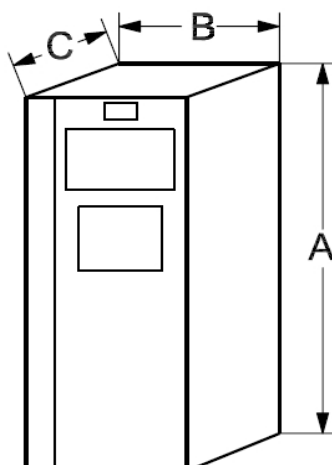
Accessories

Sine-Wave Filter IP20 130B3183 3163

dU/dT Filter IP20 130B2845 1188

For all other accessories and options see the general FC 102 accessories/options page

Dimensions		A	B	C	a	b	Weight
IP20 enclosure	(type C4)	660	370	333	631	330	50 kg
IP55 enclosure	(type C2)	770	370	335	739	334	65 kg
IP66 enclosure	(type C2)	770	370	335	739	334	65 kg
Minimal space under and above drive: 225 mm							
Dimensions excl. options							
Max. powerloss (heat dissipation) at full power :					1,4 kW		



Danfoss VLT Drives

Configure your drive with our Drive Configurator

0870 241 7100

www.driveconfigurator.com

VLTR® HVAC Drive

FC 102 90 kW 3x380-480V

FC102	PKxx	T4	Exx	H	x	x	x	x	x	x	x	SXXXX	Ax	Bx	Cx	Dx	Price GBP
Power (Basic Price)																	
90 kW - 177 A	P90K																5524
Enclosure IP 20			E20														
IP21			E21														496
IP55			E55														620
IP66			E66														1117
IP21 encl. with backplate			P21														511
IP55 encl. with backplate			P55														639
RFI-filter A2				2													
A1/B1 RFI-filter				1													616
A1/B1 RFI-filter (short motorcables)				3													561
Brakeresistor - none					X												
Brakechopper					B												466
Safe Stop					T												247
Brakechopper + Safe Stop					U												713
Display - none						X											
with numeric display						N											32
with graphic display						G											73
Coating - none							X										
incl. coating							C										159
General Options - none								x									
service switch								1									411
Loadsharing								D									207
Communication Options - None													AX				
Profibus													A0				108
DeviceNet													A4				81
LonWorks													AG				108
BACNet													AJ				86
I/O Options - none															BX		
Analog I/O															B0		86
General I/O															BK		69
Relay option															BP		76
D-options - none																DX	
24Vdc back-up																D0	45

Because of rounding totalprices can differ from the prices on the other side of this page.
 Prices valid as from June 1 2012

VLT® HVAC Drive

FC102-P110 3x380-480V

VT 110%; 110 kW / 212 A

ST Standard version with class 1A RFI-filter

SW ST version + service switch + fuses

	Articlenr.	Price GBP
ST		
IP00 encl. - no display	131F8539	6470
IP00 encl. + Graphic Display	131B6549	6543
IP21 encl. - no display	131F8541	6972
IP21 encl. + Graphic Display	131B6928	7045

	Articlenr.	Price GBP	Articlenr.	Price GBP
		ST	SW	
IP54 encl. + Graphic Display	131B6930	7359	131H1791	7411

Accessories

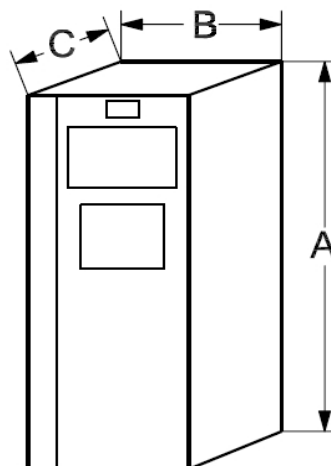
Sine-Wave Filter IP20	130B3185	3821
dU/dT Filter IP23	130B2848	1512

For all other accessories and options see the general FC 102 accessories/options page

Dimensions		A	B	C	Weight
IP00 enclosure	(type D3)	997	408	373	81,9 kg
IP21 enclosure	(type D1)	1159	420	373	95,5 kg
IP54 enclosure	(type D1)	1159	420	373	95,5 kg

Dimensions excl. options

Max. powerloss (heat dissipation) at full power :	3,2 kW
---	--------



Danfoss VLT Drives

Configure your drive with our Drive Configurator

0870 241 7100

www.driveconfigurator.com

VLT® HVAC Drive

FC 102 110 kW 3x380-480V

FC102	PKxx	T4	Exx	H	x	x	x	x	x	x	x	x	SXXXX	Ax	Bx	Cx	Dx	Price GBP
Power (Basic Price)																		
110 kW - 212 A	P110																	5678
Enclosure IP 00			E00															
IP21			E21															501
IP54			E54															815
IP21 encl. with extra shield			E2M															664
IP54 encl. with extra shield			E5M															977
RFI-filter A2				2														0
A1 RFI filter				4														792
Brakeresistor - none					X													0
Brakechopper					B													520
Safe Stop					T													277
Brakechopper + Safe Stop					U													797
Display - none					X													0
with numeric display					N													33
with graphic display					G													73
Coating - none						X												0
incl. coating						C												264
General Options - none								x										0
Service switch + Fuses								3										497
Service switch + Fuses + Loadsh.								5										729
Fuses								7										196
Fuses + Loadsharing								A										428
Loadsharing								D										232
Communication Options - None													AX					0
Profibus													A0					108
DeviceNet													A4					81
LonWorks													AG					108
BACNet													AJ					87
I/O Options - none															BX			0
Analog I/O															B0			87
General I/O															BK			69
Relay option															BP			75
D-options - none																	DX	0
24Vdc back-up																	D0	46

Because of rounding totalprices can differ from the prices on the other side of this page.

Prices valid as from June 1 2012

VLT® HVAC Drive

FC102-P132 3x380-480V

VT 110%; 132 kW / 260 A

ST Standard version with class 1A RFI-filter

SW ST version + service switch + fuses

	Articlenr.	Price GBP
ST		
IP00 encl. - no display	131F8542	7828
IP00 encl. + Graphic Display	131B6932	7901
IP21 encl. - no display	131F8544	8434
IP21 encl. + Graphic Display	131B6934	8508

	Articlenr.	Price GBP	Articlenr.	Price GBP
		ST	SW	
IP54 encl. + Graphic Display	131B6936	8887	131H1817	9384

Accessories

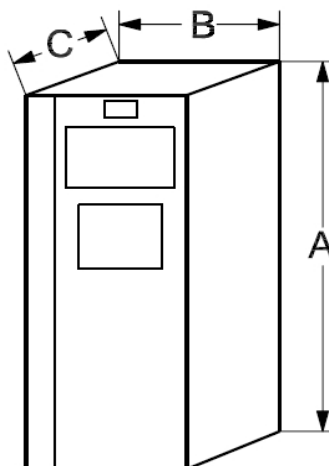
Sine-Wave Filter IP20	130B3185	3821
dU/dT Filter IP23	130B2848	1512

For all other accessories and options see the general FC 102 accessories/options page

Dimensions		A	B	C	Weight
IP00 enclosure	(type D3)	997	408	373	90,5 kg
IP21 enclosure	(type D1)	1159	420	373	104,1 kg
IP54 enclosure	(type D1)	1159	420	373	104,1 kg

Dimensions excl. options

Max. powerloss (heat dissipation) at full power : 3,7 kW



Danfoss VLT Drives

Configure your drive with our Drive Configurator

0870 241 7100

www.driveconfigurator.com

VLT® HVAC Drive

FC 102 132 kW 3x380-480V

FC102	PKxx	T4	Exx	H	x	x	x	x	x	x	x	x	SXXXX	Ax	Bx	Cx	Dx	Price GBP
Power (Basic Price)																		
132 kW - 260 A	P132																	6871
Enclosure IP 00			E00															0
IP21			E21															606
IP54			E54															986
IP21 encl. with extra shield			E2M															769
IP54 encl. with extra shield			E5M															1148
RFI-filter A2				2														0
A1 RFI filter				4														957
Brakeresistor - none					X													0
Brakechopper					B													629
Safe Stop					T													335
Brakechopper + Safe Stop					U													964
Display - none					X													0
with numeric display					N													33
with graphic display					G													73
Coating - none					X													0
incl. coating					C													264
General Options - none								x										0
Service switch + Fuses								3										497
Service switch + Fuses + Loadsh.								5										778
Fuses								7										196
Fuses + Loadsharing								A										477
Loadsharing								D										281
Communication Options - None													AX					0
Profibus													A0					108
DeviceNet													A4					81
LonWorks													AG					108
BACNet													AJ					87
I/O Options - none															BX			0
Analog I/O															B0			87
General I/O															BK			69
Relay option															BP			75
D-options - none																	DX	0
24Vdc back-up																	D0	46

Because of rounding totalprices can differ from the prices on the other side of this page.

Prices valid as from June 1 2012

VLT® HVAC Drive

FC102-P160 3x380-480V

VT 110%; 160 kW / 315 A

ST Standard version with class 1A RFI-filter

SW ST version + service switch + fuses

	Articlenr.	Price GBP
ST		
IP00 encl. - no display	131F8545	9577
IP00 encl. + Graphic Display	131B6938	9650
IP21 encl. - no display	131F8547	10319
IP21 encl. + Graphic Display	131B6940	10392

	Articlenr.	Price GBP	Articlenr.	Price GBP
		ST	SW	
IP54 encl. + Graphic Display	131B6942	108574	131F9676	11880

Accessories

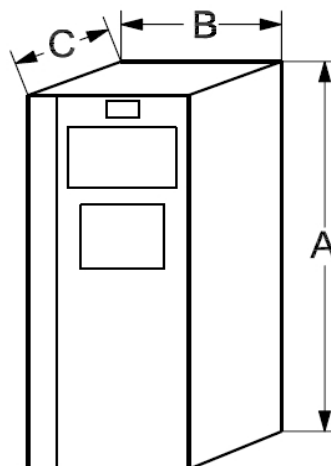
Sine-Wave Filter IP20	130B3187	5124
dU/dT Filter IP23	130B2848	1512

For all other accessories and options see the general FC 102 accessories/options page

Dimensions		A	B	C	Weight
IP00 enclosure	(type D4)	1277	408	373	111,8 kg
IP21 enclosure	(type D2)	1540	420	373	125,4 kg
IP54 enclosure	(type D2)	1540	420	373	125,4 kg

Dimensions excl. options

Max. powerloss (heat dissipation) at full power :	4,2 kW
---	--------



Danfoss VLT Drives

Configure your drive with our Drive Configurator

0870 241 7100

www.driveconfigurator.com

VLT® HVAC Drive

FC 102 160 kW 3x380-480V

FC102	PKxx	T4	Exx	H	x	x	x	x	x	x	x	SXXXX	Ax	Bx	Cx	Dx	Price GBP
Power (Basic Price)																	
160 kW - 315 A	P160																8405
Enclosure IP 00			E00														0
IP21			E21														742
IP54			E54														1207
IP21 encl. with extra shield			E2M														904
IP54 encl. with extra shield			E5M														1370
RFI-filter A2				2													0
A1 RFI filter				4													1172
Brakeresistor - none					X												0
Brakechopper					B												771
Safe Stop					T												409
Brakechopper + Safe Stop					U												1180
Display - none					X												0
with numeric display					N												33
with graphic display					G												73
Coating - none					X												0
incl. coating					C												264
General Options - none						x											0
Service switch + Fuses						3											1023
Service switch + Fuses + Loadsh.						5											1367
Fuses						7											312
Fuses + Loadsharing						A											655
Loadsharing						D											343
Communication Options - None													AX				0
Profibus													A0				108
DeviceNet													A4				81
LonWorks													AG				108
BACNet													AJ				87
I/O Options - none														BX			0
Analog I/O														B0			87
General I/O														BK			69
Relay option														BP			75
D-options - none																DX	0
24Vdc back-up																D0	46

Because of rounding totalprices can differ from the prices on the other side of this page.

Prices valid as from June 1 2012

VLT® HVAC Drive

FC102-P200 3x380-480V

VT 110%; 200 kW / 395 A

ST Standard version with class 1A RFI-filter

SW ST version + service switch + fuses

	Articlenr.	Price GBP
ST		
IP00 encl. - no display	131F8548	11450
IP00 encl. + Graphic Display	131B6944	11523
IP21 encl. - no display	131F8550	12338
IP21 encl. + Graphic Display	131B6946	12412

	Articlenr.	Price GBP	Articlenr.	Price GBP
		ST	SW	
IP54 encl. + Graphic Display	131B6948	12966	131H1023	14767

Accessories

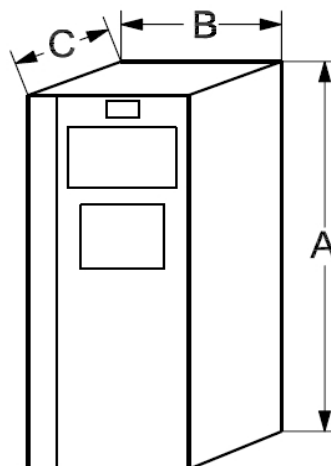
Sine-Wave Filter IP20	130B3187	5124
dU/dT Filter IP23	130B2850	1782

For all other accessories and options see the general FC 102 accessories/options page

Dimensions		A	B	C	Weight
IP00 enclosure	(type D4)	1277	408	373	122,9 kg
IP21 enclosure	(type D2)	1540	420	373	136,3 kg
IP54 enclosure	(type D2)	1540	420	373	136,3 kg

Dimensions excl. options

Max. powerloss (heat dissipation) at full power : 5,1 kW



Danfoss VLT Drives

Configure your drive with our Drive Configurator

0870 241 7100

www.driveconfigurator.com

VLT® HVAC Drive

FC 102 200 kW 3x380-480V

FC102	PKxx	T4	Exx	H	x	x	x	x	x	x	x	SXXXX	Ax	Bx	Cx	Dx	Price GBP
Power (Basic Price)																	
200 kW - 395 A	P200																10049
Enclosure IP 00			E00														0
IP21			E21														888
IP54			E54														1443
IP21 encl. with extra shield			E2M														1050
IP54 encl. with extra shield			E5M														1605
RFI-filter A2				2													0
A1 RFI filter				4													1401
Brakeresistor - none					X												0
Brakechopper					B												921
Safe Stop					T												491
Brakechopper + Safe Stop					U												1411
Display - none					X												0
with numeric display					N												33
with graphic display					G												73
Coating - none						X											0
incl. coating						C											264
General Options - none							x										0
Service switch + Fuses								3									1023
Service switch + Fuses + Loadsh.								5									1434
Fuses								7									312
Fuses + Loadsharing								A									722
Loadsharing								D									410
Communication Options - None													AX				0
Profibus													A0				108
DeviceNet													A4				81
LonWorks													AG				108
BACNet													AJ				87
I/O Options - none														BX			0
Analog I/O														B0			87
General I/O														BK			69
Relay option														BP			75
D-options - none																DX	0
24Vdc back-up																D0	46

Because of rounding totalprices can differ from the prices on the other side of this page.
 Prices valid as from June 1 2012

VLT® HVAC Drive

FC102-P250 3x380-480V

VT 110%; 250 kW / 480 A

ST Standard version with class 1A RFI-filter

SW ST version + service switch + fuses

	Articlenr.	Price GBP
ST		
IP00 encl. - no display	131F8551	14574
IP00 encl. + Graphic Display	131B6950	14647
IP21 encl. - no display	131F8553	15634
IP21 encl. + Graphic Display	131B6952	15707

	Articlenr.	Price GBP	Articlenr.	Price GBP
		ST	SW	
IP54 encl. + Graphic Display	131B6954	16370	131H1821	17392

Accessories

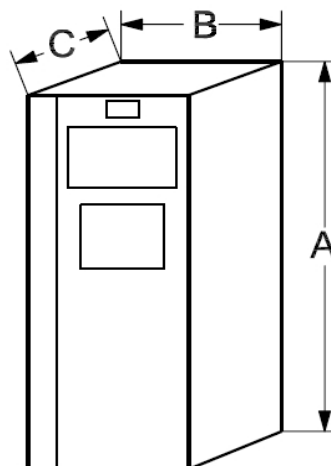
Sine-Wave Filter IP20	130B3189	6162
dU/dT Filter IP23	130B2850	1782

For all other accessories and options see the general FC 102 accessories/options page

Dimensions		A	B	C	Weight
IP00 enclosure	(type D4)	1277	408	373	137,7 kg
IP21 enclosure	(type D2)	1540	420	373	151,3 kg
IP54 enclosure	(type D2)	1540	420	373	151,3 kg

Dimensions excl. options

Max. powerloss (heat dissipation) at full power :	5,8 kW
---	--------



Danfoss VLT Drives

Configure your drive with our Drive Configurator

0870 241 7100

www.driveconfigurator.com

VLT® HVAC Drive

FC 102 250 kW 3x380-480V

FC102	PKxx	T4	Exx	H	x	x	x	x	x	x	x	x	SXXXX	Ax	Bx	Cx	Dx	Price GBP
Power (Basic Price)																		
250 kW - 480 A	P250																	12901
Enclosure IP 00			E00															0
IP21			E21															1060
IP54			E54															1723
IP21 encl. with extra shield			E2M															1222
IP54 encl. with extra shield			E5M															1885
RFI-filter A2				2														0
A1 RFI filter				4														1673
Brakeresistor - none					X													0
Brakechopper					B													1100
Safe Stop					T													629
Brakechopper + Safe Stop					U													1732
Display - none					X													0
with numeric display					N													33
with graphic display					G													73
Coating - none						X												0
incl. coating						C												264
General Options - none								x										0
Service switch + Fuses								3										1023
Service switch + Fuses + Loadsh.								5										1514
Fuses								7										312
Fuses + Loadsharing								A										801
Loadsharing								D										491
Communication Options - None													AX					0
Profibus													A0					108
DeviceNet													A4					81
LonWorks													AG					108
BACNet													AJ					87
I/O Options - none															BX			0
Analog I/O															B0			87
General I/O															BK			69
Relay option															BP			75
D-options - none																	DX	0
24Vdc back-up																	D0	46

Because of rounding totalprices can differ from the prices on the other side of this page.

Prices valid as from June 1 2012

VLT® HVAC Drive

FC102-P315 3x380-480V

VT 110%; 315 kW / 600 A

ST Standard version with class 1A RFI-filter

SW ST version + service switch + fuses

	Articlenr.	Price GBP		
	ST			
IP00 encl. + Graphic Display	131B6956	17637	17637.34	16,639
IP21 encl. + Graphic Display	131B6958	18915	18914.64	17,844

	Articlenr.	Price GBP	Articlenr.	Price GBP
	ST		SW	
IP54 encl. + Graphic Display	131B6960	19712	131H1826	23479

Accessories

Sine-Wave Filter IP20 130B3192 7947

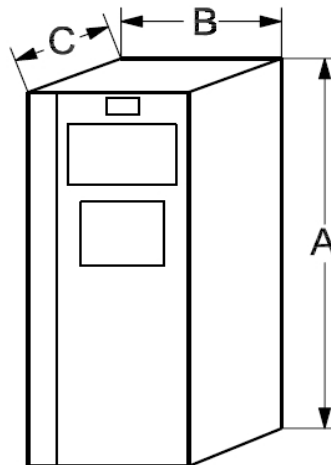
dU/dT Filter IP23 130B2852 2160

For all other accessories and options see the general FC 102 accessories/options page

Dimensions		A	B	C	Weight
IP00 enclosure	(type E2)	1499	585	494	221,4 kg
IP21 enclosure	(type E1)	2000	600	494	263,2 kg
IP54 enclosure	(type E1)	2000	600	494	263,2 kg

Dimensions excl. options

Max. powerloss (heat dissipation) at full power : 7,6 kW



Danfoss VLT Drives

Configure your drive with our Drive Configurator

0870 241 7100

www.driveconfigurator.com

VLT® HVAC Drive

FC 102 315 kW 3x380-480V

FC102	PKxx	T4	Exx	H	x	x	x	x	x	x	x	x	SXXXX	Ax	Bx	Cx	Dx	Price GBP
Power (Basic Price)																		
315 kW - 600 A	P315																	15541
Enclosure IP 00			E00															0
IP21			E21															1277
IP54			E54															2074
IP21 encl. with extra shield			E2M															1710
IP54 encl. with extra shield			E5M															2507
RFI-filter A2				2														0
A1 RFI filter				4														2024
Brakeresistor - none					X													0
Brakechopper					B													1325
Safe Stop					T													759
Brakechopper + Safe Stop					U													2083
Display - none					X													0
with numeric display					N													33
with graphic display					G													73
Coating - none						X												0
incl. coating						C												0
General Options - none								x										0
Service switch + Fuses								3										2584
Service switch + Fuses + Loadsh.								5										3176
Fuses								7										504
Fuses + Loadsharing								A										1095
Loadsharing								D										591
Communication Options - None														AX				0
Profibus														A0				108
DeviceNet														A4				81
LonWorks														AG				108
BACNet														AJ				87
I/O Options - none															BX			0
Analog I/O															B0			87
General I/O															BK			69
Relay option															BP			75
D-options - none																	DX	0
24Vdc back-up																	D0	46

Because of rounding totalprices can differ from the prices on the other side of this page.
 Prices valid as from June 1 2012

VLT® HVAC Drive

FC102-P355 3x380-480V

VT 110%; 355 kW / 658 A

ST Standard version with class 1A RFI-filter

SW ST version + service switch + fuses

	Articlenr.	Price GBP
	ST	
IP00 encl. + Graphic Display	131B6962	20810
IP21 encl. + Graphic Display	131B6964	22317

	Articlenr.	Price GBP	Articlenr.	Price GBP
	ST		SW	
IP54 encl. + Graphic Display	131B6966	23260	131H1827	27240

Accessories

Sine-Wave Filter IP20 130B3192 7947

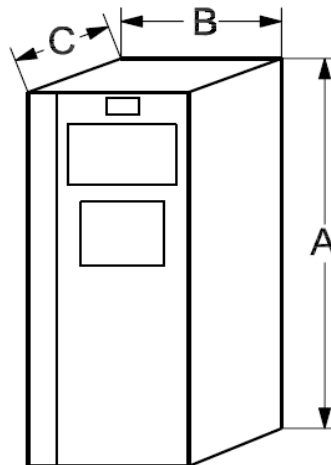
dU/dT Filter IP23 130B2852 2160

For all other accessories and options see the general FC 102 accessories/options page

Dimensions		A	B	C	Weight
IP00 enclosure	(type E2)	1499	585	494	234,1 kg
IP21 enclosure	(type E1)	2000	600	494	270 kg
IP54 enclosure	(type E1)	2000	600	494	270 kg

Dimensions excl. options

Max. powerloss (heat dissipation) at full power : 7,7 kW



Danfoss VLT Drives

Configure your drive with our Drive Configurator

0870 241 7100

www.driveconfigurator.com

VLT® HVAC Drive

FC 102 355 kW 3x380-480V

FC102	PKxx	T4	Exx	H	x	x	x	x	x	x	x	SXXXX	Ax	Bx	Cx	Dx	Price GBP
Power (Basic Price)																	
355 kW - 658 A	P355																18349
Enclosure IP 00			E00														
IP21			E21														1507
IP54			E54														2450
IP21 encl. with extra shield			E2M														1940
IP54 encl. with extra shield			E5M														2882
RFI-filter A2				2													0
A1 RFI filter				4													2388
Brakeresistor - none					X												0
Brakechopper					B												1565
Safe Stop					T												895
Brakechopper + Safe Stop					U												2459
Display - none					X												0
with numeric display					N												33
with graphic display					G												73
Coating - none						X											0
incl. coating						C											0
General Options - none							x										0
Service switch + Fuses								3									2584
Service switch + Fuses + Loadsh.								5									3282
Fuses								7									504
Fuses + Loadsharing								A									1201
Loadsharing								D									696
Communication Options - None													AX				0
Profibus													A0				108
DeviceNet													A4				81
LonWorks													AG				108
BACNet													AJ				87
I/O Options - none														BX			0
Analog I/O														B0			87
General I/O														BK			69
Relay option														BP			75
D-options - none																DX	0
24Vdc back-up																D0	46

Because of rounding totalprices can differ from the prices on the other side of this page.

Prices valid as from June 1 2012

VLT® HVAC Drive

FC102-P400 3x380-480V

VT 110%; 400 kW / 745 A

ST Standard version with class 1A RFI-filter

SW ST version + service switch + fuses

	Articlenr.	Price GBP
	ST	
IP00 encl. + Graphic Display	131B6968	23545
IP21 encl. + Graphic Display	131B6970	25251

	Articlenr.	Price GBP	Articlenr.	Price GBP
	ST		SW	
IP54 encl. + Graphic Display	131B6972	26317	131H1836	27265

Accessories

Sine-Wave Filter IP20 130B3194 9572

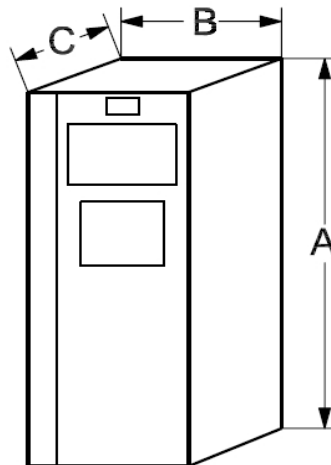
dU/dT Filter IP23 130B2854 4320

For all other accessories and options see the general FC 102 accessories/options page

Dimensions		A	B	C	Weight
IP00 enclosure	(type E2)	1499	585	494	236,4 kg
IP21 enclosure	(type E1)	2000	600	494	272,3 kg
IP54 enclosure	(type E1)	2000	600	494	272,3 kg

Dimensions excl. options

Max. powerloss (heat dissipation) at full power : 8,8 kW



Danfoss VLT Drives

Configure your drive with our Drive Configurator

0870 241 7100

www.driveconfigurator.com

VLT® HVAC Drive

FC 102 400 kW 3x380-480V

FC102	PKxx	T4	Exx	H	x	x	x	x	x	x	x	x	SXXXX	Ax	Bx	Cx	Dx	Price GBP
Power (Basic Price)																		
400 kW - 745 A	P400																	20760
Enclosure IP 00			E00															0
IP21			E21															1707
IP54			E54															2772
IP21 encl. with extra shield			E2M															2138
IP54 encl. with extra shield			E5M															3203
RFI-filter A2				2														0
A1 RFI filter				4														2711
Brakeresistor - none					X													0
Brakechopper					B													1770
Safe Stop					T													1012
Brakechopper + Safe Stop					U													2783
Display - none					X													0
with numeric display					N													33
with graphic display					G													73
Coating - none						X												0
incl. coating						C												0
General Options - none								x										0
Service switch + Fuses								3										2584
Service switch + Fuses + Loadsh.								5										3373
Fuses								7										504
Fuses + Loadsharing								A										1292
Loadsharing								D										789
Communication Options - None														AX				0
Profibus														A0				108
DeviceNet														A4				81
LonWorks														AG				108
BACNet														AJ				87
I/O Options - none															BX			0
Analog I/O															B0			87
General I/O															BK			69
Relay option															BP			75
D-options - none																	DX	0
24Vdc back-up																	D0	46

Because of rounding totalprices can differ from the prices on the other side of this page.

Prices valid as from June 1 2012

VLT® HVAC Drive

FC102-P450 3x380-480V

VT 110%; 450 kW / 800 A

ST Standard version with class 1A RFI-filter

SW ST version + service switch + fuses

	Articlenr.	Price GBP
ST		
IP00 encl. + Graphic Display	131B7430	27875
IP21 encl. + Graphic Display	131B7432	29904

	Articlenr.	Price GBP	Articlenr.	Price GBP
ST		SW		
IP54 encl. + Graphic Display	131B7434	31171	131F9863	35627

Accessories

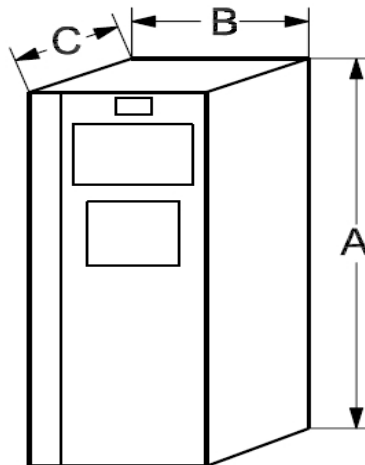
Sine-Wave Filter IP20	130B3189	6705	X 2
dU/dT Filter IP23	130B2854	4320	

For all other accessories and options see the general FC 102 accessories/options page

Dimensions		A	B	C	Weight
IP00 enclosure	(type E2)	1499	585	494	277,3 kg
IP21 enclosure	(type E1)	2000	600	494	313,2 kg
IP54 enclosure	(type E1)	2000	600	494	313,2 kg

Dimensions excl. options

Max. powerloss (heat dissipation) at full power : 9,4 kW



Danfoss VLT Drives

Configure your drive with our Drive Configurator

0870 241 7100

www.driveconfigurator.com

VLT® HVAC Drive

FC 102 450 kW 3x380-480V

FC102	PKxx	T4	Exx	H	x	x	x	x	x	x	x	SXXXX	Ax	Bx	Cx	Dx	Price GBP
Power (Basic Price)																	
450 kW - 800 A	P450																24690
Enclosure IP 00			E00														
IP21			E21														2029
IP54			E54														3297
IP21 encl. with extra shield			E2M														2461
IP54 encl. with extra shield			E5M														3729
RFI-filter A2				2													0
A1 RFI filter				4													3112
Brakesistor - none					X												0
Brakechopper					B												2105
Safe Stop					T												1205
Brakechopper + Safe Stop					U												3309
Display - none					X												0
with numeric display					N												33
with graphic display					G												73
Coating - none						X											0
incl. coating						C											0
General Options - none							x										0
Service switch + Fuses								3									2584
Service switch + Fuses + Loadsh.								5									3522
Fuses								7									504
Fuses + Loadsharing								A									1442
Loadsharing								D									938
Communication Options - None													AX				0
Profibus													A0				108
DeviceNet													A4				81
LonWorks													AG				108
BACNet													AJ				87
I/O Options - none														BX			0
Analog I/O														B0			87
General I/O														BK			69
Relay option														BP			75
D-options - none																DX	0
24Vdc back-up																D0	46

Because of rounding totalprices can differ from the prices on the other side of this page.
 Prices valid as from June 1 2012

VLT® HVAC Drive

General Options for the VLT HVAC Drive

Description	Model	Code	Articlenr.	Price GBP
Fieldbus options				
Profibus	MCA 101	A0	130B1100	112
Profibus - coated	MCA 101		130B1200	127
DeviceNet	MCA 104	A4	130B1102	85
DeviceNet - coated	MCA 104		130B1202	100
LonWorks	MCA 108	AG	130B1106	112
LonWorks - coated	MCA 108		130B1206	127
BACNet	MCA 109	AJ	130B1144	91
BACNet - coated	MCA 109		130B1244	105
Modbus TCP	MCA122	AQ	130B1196	226
Modbus TCP - coated	MCA122			240
Input/Output options				
General purpose I/O	MCB 101	BK	130B1125	72
General purpose I/O - coated	MCB 101		130B1212	86
Relay option	MCB 105	BP	130B1110	78
Relay option - coated	MCB 105		130B1210	92
24V option	MCB 107	D0	130B1108	48
24V option coated	MCB 107		130B1208	61
Analog I/O	MCB 109	B0	130B1143	91
Analog I/O - coated	MCB 109		130B1243	105
Accessories				
Profibus Sub-D Connector	MCF 104		130B1112	51
Screw Terminal Blocks	MCF 1010		130B1116	10
USB Extension Kit - 350mm	MCF 103		130B1155	20
USB Extension Kit - 650mm	MCF 107		130B1156	22

Danfoss VLT Drives

0870 241 7100

Configure your drive with our Drive Configurator

www.driveconfigurator.com

VLT® HVAC Drive

General Options for the VLT HVAC Drive

Description	Articlenr.	Price GBP
Display options		
Numeric display LCP101	130B1124	34
Graphic display LCP102	130B1107	76
LCP-kit for remote mounting of display (incl. 3 mtr cable, excl. display)	130B1117	39
LCP-kit for remote mounting of display (incl. graphic display LCP102 + 3 mtr cable)	130B1114	71
LCP-kit for remote mounting of display (incl. numeric display LCP101 + 3 mtr cable)	130B1113	114
LCP-cable (length 3 meters incl. connectors)	175Z0929	16
Backplates		
Backplate for A5 IP55/Nema 12	130B1098	12
Backplate for B1 IP21/IP55	130B3383	12
Backplate for B2 IP21/IP55	130B3397	15
Backplate for C1 IP21/IP55	130B3910	15
Backplate C2 IP21/IP55	130B3911	19
Backplates Stainless Steel		
Backplate for A5 IP66/Nema 4x	130B3242	37
Backplate for B1 IP66/Nema 4x	130B3434	40
Backplate for B2 IP66/Nema 4x	130B3465	42
Backplate for C1 IP66/Nema 4x	130B3468	61
Backplate for C2 IP66/Nema 4x	130B3491	86
Airducks Installation Kits		
D1 / IP00 - Rittal TS8 1800mm	176F1824	404
D1 / IP00 - Rittal TS8 2000mm	176F1826	439
D2 / IP00 - Rittal TS8 1800mm	176F1823	405
D2 / IP00 - Rittal TS8 2000mm	176F1825	439
E2 / IP00 - Rittal TS8 2000mm	176F1850	822
Motion Control Tools		
MCT10 set-up software - 1 user	130B1000	123
MCT10 set-up software - 5 user	130B1001	1001
MCT10 set-up software - 10 user	130B1002	1001

Danfoss VLT Drives

0870 241 7100

Configure your drive with our Drive Configurator

www.driveconfigurator.com