

## FC302-PK37 3x380-500V

CT 160%; 0,37 kW / 1,3 A

- S2A Standard Version with class 2A RFI-filter
- ST Standard version with class 1A/1B RFI-filter
- SB ST + brakechopper

	Article nr.	Price GBP	Article nr.	Price GBP	Article nr.	Price GBP
	S2A		ST		SB	
IP20 encl. - no display	131B0093	338	131B0026	371	131B0024	398
IP20 encl. - no display + Profibus	131B0576	446	131B0497	479	131B0585	506
IP20 encl. + Graphic Display	131B0073	411	131B0033	444	131B0043	471
IP20 encl. + Graphic Display + Profibus	131B0647	519	131B0459	552	131B0488	579
IP55 encl. + Graphic Display	131U6154	505	131U6151	537	131X6662	564
IP55 encl. + Graphic Display + Profibus	134F0976	613	131X6643	646	134F0977	672

### Accessories

Brakeresistor IP54	1200 ohm / 10% duty cycle	175U3000	57
Brakeresistor IP54	1200 ohm / 40% duty cycle	175U3101	65
Flatpack Brakeres.	830 ohm / 20% duty cycle	175U1000	30
Sine Wave Filter - IP20		130B2439	183
dU/dT Filter - IP20		130B2836	335

For all other accessories and options see the general FC 300 accessories/options page

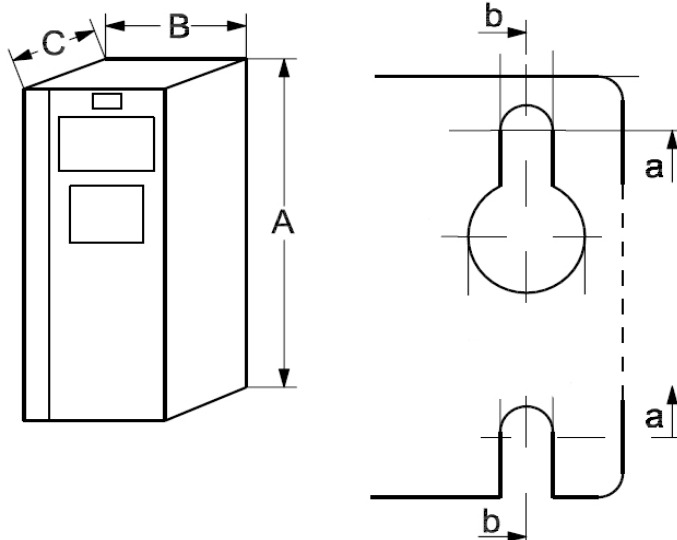
Dimensions		A	B	C	a	b	Weight
IP20 enclosure	(type A2)	268	90	205	257	70	4,7 kg
IP55 enclosure	(type A4)	390	200	177	397	171	9,7 kg

Minimal space under and above drive: 100 mm

### Dimensions excl. options

Max. powerloss (heat dissipation) at full power :

35 Watt



Danfoss VLT Drives

Configure your drive with our Drive Configurator

0870 241 7100

[www.driveconfigurator.com](http://www.driveconfigurator.com)

# VLT AutomationDrive

# FC 302 0,37 kW 3x380-500V

FC302	PKxx	T5	Exx	H	x	x	x	x	x	x	x	SXXXX	Ax	Bx	Cx	Dx	Price GBP	
<b>Power (Basic Price)</b>																		
0,37 kW - 1,3 A	PK37																	338
<b>Enclosure IP 20</b>			E20															0
IP55			E55															93
IP66			E66															201
IP55 with backplate			P55															104
<b>RFI-filter A2</b>				2														0
A1/B1 RFI-filter				1														33
<b>Brakeresistor - none</b>					X													0
with					B													27
<b>Display - none</b>						X												0
with numeric display						N												33
with graphic display						G												73
<b>Coating - none</b>							X											0
incl. coating							C											78
<b>General Options - none</b>								x										0
service switch								1										112
<b>Communication Options - None</b>													AX					0
Profibus (MCA 101)													A0					108
DeviceNet (MCA 104)													A4					81
CANOpen (MCA 105)													A6					81
Ethernet IP (MCA 121)													AN					222
<b>I/O Options - none</b>														BX				0
General I/O (MCB 101)														BK				69
Relay option (MCB 105)														BP				75
Encoder (MCB 102)														BR				151
CL Resolver MCB 103)														BU				173
Safety PLC interface (MCB 108)														BZ				59
<b>SyncPos Options - see general FC 300 options</b>															CX			0
<b>D-options - none</b>																DX		0
24Vdc back-up																D0		46

Because of rounding totalprices can differ from the prices on the other side of this page.

Prices valid from June 1 2012

## FC302-PK55 3x380-500V

CT 160%; 0,55 kW / 1,8 A

S2A Standard Version with class 2A RFI-filter

ST Standard version with class 1A/1B RFI-filter

SB ST + brakechopper

	Article nr.	Price GBP	Article nr.	Price GBP	Article nr.	Price GBP
	S2A		ST		SB	
IP20 encl. - no display	131B0094	351	131B0027	389	131B0016	419
IP20 encl. - no display + Profibus	131B0577	459	131B0504	497	131B0586	527
IP20 encl. + Graphic Display	131B0074	424	131B0034	462	131B0044	492
IP20 encl. + Graphic Display + Profibus	131B0648	532	131B0460	570	131B0409	600
IP55 encl. + Graphic Display	131U6159	517	131U6156	555	131X6663	585
IP55 encl. + Graphic Display + Profibus	134F0971	625	131X6644	664	134F0972	693

### Accessories

Brakeresistor IP54	850 ohm / 10% duty cycle	175U3001	57
Brakeresistor IP21	850 ohm / 40% duty cycle	175U3104	202
Flatpack Brakeres.	830 ohm / 20% duty cycle	175U1000	30
Sine Wave Filter - IP20		130B2439	183
dU/dT Filter - IP20		130B2439	335

For all other accessories and options see the general FC 300 accessories/options page

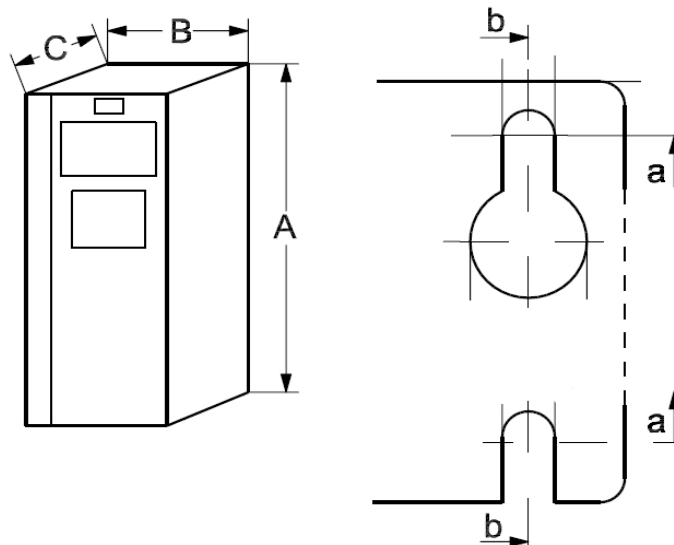
Dimensions		A	B	C	a	b	Weight
IP20 enclosure	(type A2)	268	90	205	257	70	4,7 kg
IP55 enclosure	(type A4)	390	200	177	397	171	9,7 kg

Minimal space under and above drive: 100 mm

Dimensions excl. options

Max. powerloss (heat dissipation) at full power :

42 Watt



# VLT AutomationDrive

# FC 302 0,55 kW 3x380-500V

FC302	PKxx	T5	Exx	H	x	x	x	x	x	x	x	x	SXXXX	Ax	Bx	Cx	Dx	Price GBP
<b>Power (Basic Price)</b>	↑		↑		↑	↑	↑	↑	↑	↑	↑	↑		↑	↑	↑	↑	
0,55 kW - 1,8 A	PK55																	351
<b>Enclosure IP 20</b>			E20															0
IP55			E55															93
IP66			E66															201
IP55 with backplate			P55															104
<b>RFI-filter A2</b>				2														0
A1/B1 RFI-filter				1														38
<b>Brakeresistor - none</b>					X													0
with					B													30
<b>Display - none</b>						X												0
with numeric display						N												33
with graphic display						G												73
<b>Coating - none</b>							X											0
incl. coating							C											78
<b>General Options - none</b>								x										0
service switch								1										112
<b>Communication Options - None</b>														AX				0
Profibus (MCA 101)														A0				108
DeviceNet (MCA 104)														A4				81
CANOpen (MCA 105)														A6				81
Ethernet IP (MCA 121)														AN				222
<b>I/O Options - none</b>															BX			0
General I/O (MCB 101)															BK			69
Relay option (MCB 105)															BP			75
Encoder (MCB 102)															BR			151
CL Resolver MCB 103)															BU			173
Safety PLC interface (MCB 108)															BZ			58
<b>SyncPos Options - see general FC 300 options</b>																CX		0
<b>D-options - none</b>																	DX	0
24Vdc back-up																	D0	46

Because of rounding totalprices can differ from the prices on the other side of this page.

Prices valid from June 1 2012

## FC302-PK75 3x380-500V

CT 160%; 0,75 kW / 2,4 A

S2A Standard Version with class 2A RFI-filter

ST Standard version with class 1A/1B RFI-filter

SB ST + brakechopper

	Article nr.	Price GBP	Article nr.	Price GBP	Article nr.	Price GBP
	S2A		ST		SB	
IP20 encl. - no display	131B0095	385	131B0028	429	131B0014	461
IP20 encl. - no display + Profibus	131B0578	493	131B0509	537	131B0507	569
IP20 encl. + Graphic Display	131B0075	458	131B0035	502	131B0045	534
IP20 encl. + Graphic Display + Profibus	131B0649	566	131B0461	611	131B0480	642
IP55 encl. + Graphic Display	131U6164	551	131U6161	596	131X6664	628
IP55 encl. + Graphic Display + Profibus	131Z3582	659	131U4682	704		736

### Accessories

Brakeresistor IP54	630 ohm / 10% duty cycle	175U3002	57
Brakeresistor IP21	630 ohm / 40% duty cycle	175U3108	164
Flatpack Brakeres.	620 ohm / 20% duty cycle	175U1001	30
Flatpack Brakeres.	620 ohm / 40% duty cycle	175U0982	39
Sine Wave Filter - IP20		130B2439	183
dU/dT Filter - IP20		130B2836	335

For all other accessories and options see the general FC 300 accessories/options page

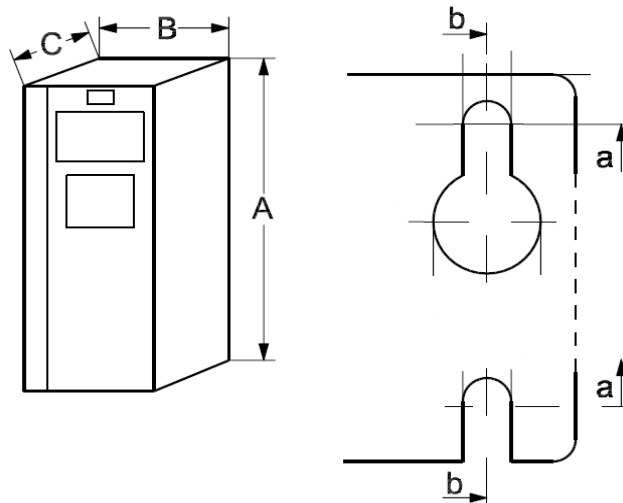
Dimensions		A	B	C	a	b	Weight
IP20 enclosure	(type A2)	268	90	205	257	70	4,8 kg
IP55 enclosure	(type A4)	390	200	177	397	171	9,7 kg

Minimal space under and above drive: 100 mm

Dimensions excl. options

Max. powerloss (heat dissipation) at full power :

46 Watt



Danfoss VLT Drives

Configure your drive with our Drive Configurator

# VLT AutomationDrive

# FC 302 0,75 kW 3x380-500V

FC302	PKxx	T5	Exx	H	x	x	x	x	x	x	x	x	SXXXX	Ax	Bx	Cx	Dx	Price GBP
<b>Power (Basic Price)</b>																		
0,75 kW - 2,4 A	PK75																	385
<b>Enclosure IP 20</b>			E20															0
IP55			E55															93
IP66			E66															201
IP55 with backplate			P55															104
<b>RFI-filter A2</b>				2														0
A1/B1 RFI-filter				1														45
<b>Brakeresistor - none</b>					X													0
with					B													32
<b>Display - none</b>						X												0
with numeric display						N												33
with graphic display						G												73
<b>Coating - none</b>							X											0
incl. coating							C											78
<b>General Options - none</b>								x										0
service switch								1										112
<b>Communication Options - None</b>														AX				0
Profibus (MCA 101)														A0				108
DeviceNet (MCA 104)														A4				81
CANOpen (MCA 105)														A6				81
Ethernet IP (MCA 121)														AN				222
<b>I/O Options - none</b>															BX			0
General I/O (MCB 101)															BK			69
Relay option (MCB 105)															BP			75
Encoder (MCB 102)															BR			151
CL Resolver MCB 103)															BU			173
Safety PLC interface (MCB 108)															BZ			58
<b>SyncPos Options - see general FC 300 options</b>																CX		0
<b>D-options - none</b>																	DX	0
24Vdc back-up																	D0	46

Because of rounding totalprices can differ from the prices on the other side of this page.  
 Prices valid from June 1 2012

# VLT AutomationDrive

## FC302-P1K1 3x380-500V

CT 160%; 1,1 kW / 3 A

S2A Standard Version with class 2A RFI-filter

ST Standard version with class 1A/1B RFI-filter

SB ST + brakechopper

	Article nr.	Price GBP	Article nr.	Price GBP	Article nr.	Price GBP
	S2A		ST		SB	
IP20 encl. - no display	131B0096	442	131B0029	494	131B0025	528
IP20 encl. - no display + Profibus	131B0579	550	131B0514	602	131B0587	636
IP20 encl. + Graphic Display	131B0076	515	131B0036	567	131B0046	601
IP20 encl. + Graphic Display + Profibus	131B0650	623	131B0452	675	131B0481	709
IP55 encl. + Graphic Display	131U1515	608	131U1516	660	131X6665	694
IP55 encl. + Graphic Display + Profibus	131U6625	717	131X6646	769	134F0978	802

### Accessories

Brakeresistor IP54	410 ohm / 10% duty cycle	175U3004	57
Brakeresistor IP21	410 ohm / 40% duty cycle	175U3114	186
Flatpack Brakeres.	430 ohm / 8% duty cycle	175U1002	30
Flatpack Brakeres.	430 ohm / 20% duty cycle	175U0983	39
Sine Wave Filter - IP20		130B2441	210
dU/dT Filter - IP20		130B2836	335

For all other accessories and options see the general FC 300 accessories/options page

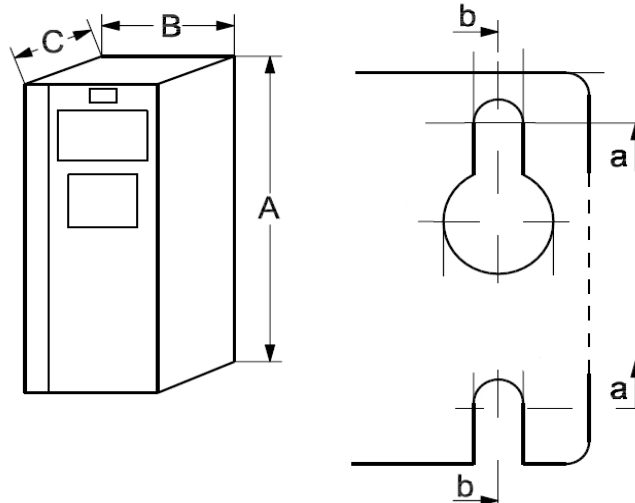
Dimensions		A	B	C	a	b	Weight
IP20 enclosure	(type A2)	268	90	205	257	70	4,8 kg
IP55 enclosure	(type A4)	390	200	177	397	171	9,7 kg

Minimal space under and above drive: 100 mm

Dimensions excl. options

Max. powerloss (heat dissipation) at full power :

58 Watt



Danfoss VLT Drives

Configure your drive with our Drive Configurator

0870 241 7100

[www.driveconfigurator.com](http://www.driveconfigurator.com)

# VLT AutomationDrive

# FC 302 1,1 kW 3x380-500V

FC302	PKxx	T5	Exx	H	x	x	x	x	x	x	x	x	SXXXX	Ax	Bx	Cx	Dx	Price GBP
<b>Power (Basic Price)</b>																		
1,1 kW - 3 A	P1K1																	442
<b>Enclosure IP 20</b>			E20															0
IP55			E55															93
IP66			E66															201
IP55 with backplate			P55															104
<b>RFI-filter A2</b>				2														0
A1/B1 RFI-filter				1														52
<b>Brakeresistor - none</b>					X													0
with					B													34
<b>Display - none</b>						X												0
with numeric display						N												33
with graphic display						G												73
<b>Coating - none</b>							X											0
incl. coating							C											78
<b>General Options - none</b>								x										0
service switch								1										112
<b>Communication Options - None</b>														AX				0
Profibus (MCA 101)														A0				108
DeviceNet (MCA 104)														A4				81
CANOpen (MCA 105)														A6				81
Ethernet IP (MCA 121)														AN				222
<b>I/O Options - none</b>															BX			0
General I/O (MCB 101)															BK			69
Relay option (MCB 105)															BP			75
Encoder (MCB 102)															BR			151
CL Resolver MCB 103)															BU			173
Safety PLC interface (MCB 108)															BZ			58
<b>SyncPos Options - see general FC 300 options</b>																CX		0
<b>D-options - none</b>																	DX	0
24Vdc back-up																	D0	46

Because of rounding totalprices can differ from the prices on the other side of this page.

Prices valid from June 1 2012



# VLT AutomationDrive

## FC302-P1K5 3x380-500V

CT 160%; 1,5 kW / 4,1 A

S2A Standard Version with class 2A RFI-filter

ST Standard version with class 1A/1B RFI-filter

SB ST + brakechopper

	Article nr.	Price GBP	Article nr.	Price GBP	Article nr.	Price GBP
	S2A		ST		SB	
IP20 encl. - no display	131B0097	515	131B0030	575	131B0015	616
IP20 encl. - no display + Profibus	131B0580	623	131B0518	683	131B0588	724
IP20 encl. + Graphic Display	131B0077	588	131B0037	648	131B0047	689
IP20 encl. + Graphic Display + Profibus	131B0651	696	131B0453	756	131B0482	797
IP55 encl. + Graphic Display	131U1517	682	131N6486	741	131X6666	782
IP55 encl. + Graphic Display + Profibus	134F0981	790	131N5609	849	134F0982	890

### Accessories

Brakeresistor IP54 270 ohm / 10% duty cycle	175U3007	65
Brakeresistor IP21 270 ohm / 40% duty cycle	175U3116	204
Flatpack Brakeres. 310 ohm / 16% duty cycle	175U0984	39
Sine Wave Filter - IP20	130B2441	210
dU/dT Filter - IP20	130B2836	335

For all other accessories and options see the general FC 300 accessories/options page

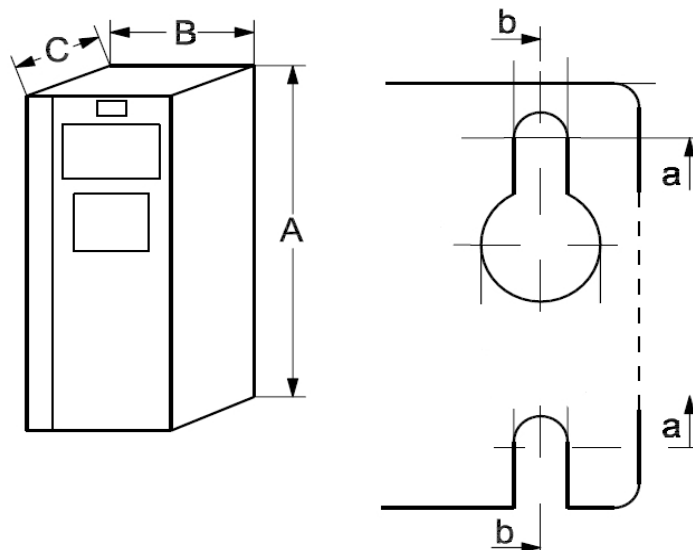
Dimensions		A	B	C	a	b	Weight
IP20 enclosure	(type A2)	268	90	205	257	70	4,9 kg
IP55 enclosure	(type A4)	390	200	177	397	171	9,7 kg

Minimal space under and above drive: 100 mm

Dimensions excl. options

Max. powerloss (heat dissipation) at full power :

62 Watt



Danfoss VLT Drives

0870 241 7100

Configure your drive with our Drive Configurator

[www.driveconfigurator.com](http://www.driveconfigurator.com)

# VLT AutomationDrive

# FC 302 1,5 kW 3x380-500V

FC302	PKxx	T5	Exx	H	x	x	x	x	x	x	x	SXXXX	Ax	Bx	Cx	Dx	Price GBP
<b>Power (Basic Price)</b>																	
1,5 kW - 4,1 A	P1K5																515
<b>Enclosure IP 20</b>			E20														0
IP55			E55														93
IP66			E66														201
IP55 with backplate			P55														104
<b>RFI-filter A2</b>				2													0
A1/B1 RFI-filter				1													59
<b>Brakeresistor - none</b>					X												0
with					B												41
<b>Display - none</b>						X											0
with numeric display						N											33
with graphic display						G											73
<b>Coating - none</b>							X										0
incl. coating							C										78
<b>General Options - none</b>								x									0
service switch								1									112
<b>Communication Options - None</b>													AX				0
Profibus (MCA 101)													A0				108
DeviceNet (MCA 104)													A4				81
CANOpen (MCA 105)													A6				81
Ethernet IP (MCA 121)													AN				222
<b>I/O Options - none</b>														BX			0
General I/O (MCB 101)														BK			69
Relay option (MCB 105)														BP			75
Encoder (MCB 102)														BR			151
CL Resolver MCB 103)														BU			173
Safety PLC interface (MCB 108)														BZ			58
<b>SyncPos Options - see general FC 300 options</b>															CX		0
<b>D-options - none</b>																DX	0
24Vdc back-up																D0	46

Because of rounding totalprices can differ from the prices on the other side of this page.

Prices valid from June 1 2012

# VLT AutomationDrive

## FC302-P2K2 3x380-500V

CT 160%; 2,2 kW / 5,6 A

S2A Standard Version with class 2A RFI-filter

ST Standard version with class 1A/1B RFI-filter

SB ST + brakechopper

	Article nr.	Price GBP	Article nr.	Price GBP	Article nr.	Price GBP
	S2A		ST		SB	
IP20 encl. - no display	131B0098	637	131B0031	710	131B0020	762
IP20 encl. - no display + Profibus	131B0581	745	131B0521	818	131B0589	870
IP20 encl. + Graphic Display	131B0078	710	131B0038	783	131B0048	835
IP20 encl. + Graphic Display + Profibus	131B0652	818	131B0454	891	131B0483	943
IP55 encl. + Graphic Display	131B1959	803	131B1978	877	131B2390	929
IP55 encl. + Graphic Display + Profibus	131U5185	912	131X6647	985	131Z5344	1037

### Accessories

Brakeresistor IP54	200 ohm / 10% duty cycle	175U3008	65
Brakeresistor IP21	200 ohm / 40% duty cycle	175U3120	250
Flatpack Brakeres.	210 ohm / 9% duty cycle	175U0987	39
Sine Wave Filter - IP20		130B2443	242
dU/dT Filter - IP20		130B2836	335

For all other accessories and options see the general FC 300 accessories/options page

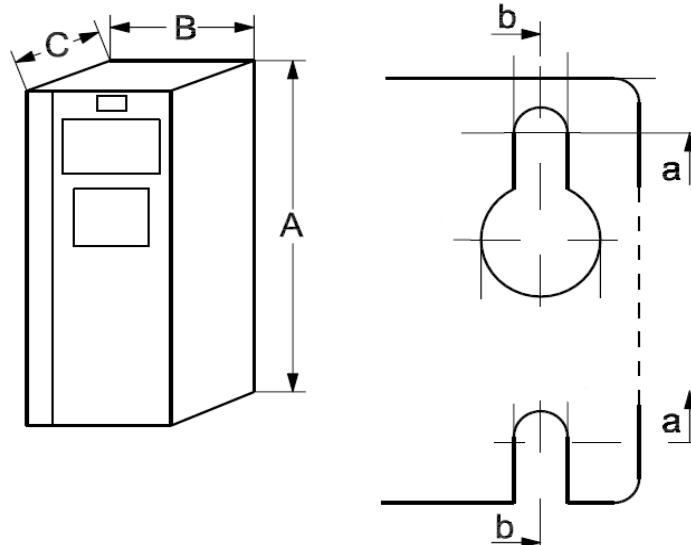
Dimensions		A	B	C	a	b	Weight
IP20 enclosure	(type A2)	268	90	205	257	70	4,9 kg
IP55 enclosure	(type A4)	390	200	177	397	171	9,7 kg

Minimal space under and above drive: 100 mm

### Dimensions excl. options

Max. powerloss (heat dissipation) at full power :

88 Watt



Danfoss VLT Drives

Configure your drive with our Drive Configurator

0870 241 7100

[www.driveconfigurator.com](http://www.driveconfigurator.com)

# VLT AutomationDrive

# FC 302 2,2 kW 3x380-500V

FC302	PKxx	T5	Exx	H	x	x	x	x	x	x	x	SXXXX	Ax	Bx	Cx	Dx	Price GBP
<b>Power (Basic Price)</b>																	
2,2 kW - 5,6 A	P2K2																637
<b>Enclosure IP 20</b>			E20														0
IP55			E55														93
IP66			E66														201
IP55 with backplate			P55														104
<b>RFI-filter A2</b>				2													0
A1/B1 RFI-filter				1													73
<b>Brakeresistor - none</b>					X												0
with					B												52
<b>Display - none</b>						X											0
with numeric display						N											33
with graphic display						G											73
<b>Coating - none</b>							X										0
incl. coating							C										78
<b>General Options - none</b>								x									0
service switch								1									112
<b>Communication Options - None</b>													AX				0
Profibus (MCA 101)													A0				108
DeviceNet (MCA 104)													A4				81
CANOpen (MCA 105)													A6				81
Ethernet IP (MCA 121)													AN				222
<b>I/O Options - none</b>														BX			0
General I/O (MCB 101)														BK			69
Relay option (MCB 105)														BP			75
Encoder (MCB 102)														BR			151
CL Resolver MCB 103)														BU			173
Safety PLC interface (MCB 108)														BZ			58
<b>SyncPos Options - see general FC 300 options</b>															CX		0
<b>D-options - none</b>																DX	0
24Vdc back-up																D0	46

Because of rounding totalprices can differ from the prices on the other side of this page.

Prices valid from June 1 2012

# VLT AutomationDrive

## FC302-P3K0 3x380-500V

CT 160%; 3 kW / 7,2 A

S2A Standard Version with class 2A RFI-filter

ST Standard version with class 1A/1B RFI-filter

SB ST + brakechopper

	Article nr.	Price GBP	Article nr.	Price GBP	Article nr.	Price GBP
	S2A		ST		SB	
IP20 encl. - no display	131B0099	719	131B0032	801	131B0021	859
IP20 encl. - no display + Profibus	131B0582	827	131B0525	909	131B0590	967
IP20 encl. + Graphic Display	131B0079	792	131B0039	875	131B0049	932
IP20 encl. + Graphic Display + Profibus	131B0653	900	131B0455	983	131B0484	1040
IP55 encl. + Graphic Display	131U1520	885	131U1521	968	131X6479	1025
IP55 encl. + Graphic Display + Profibus	131U5213	993	131U6788	1076		1133

### Accessories

Brakeresistor IP21 145 ohm / 10% duty cycle	175U3014	157		
Brakeresistor IP21 145 ohm / 40% duty cycle	175U3126	287		
Flatpack Brakeres. 150 ohm / 5,5% duty cycle	175U0989	38		
Flatpack Brakeres. 300 ohm / 12% duty cycle	175U0985	39	(2 pcs needed)	
Sine Wave Filter - IP20	130B2443	242		
dU/dT Filter - IP20	130B2836	335		

For all other accessories and options see the general FC 300 accessories/options page

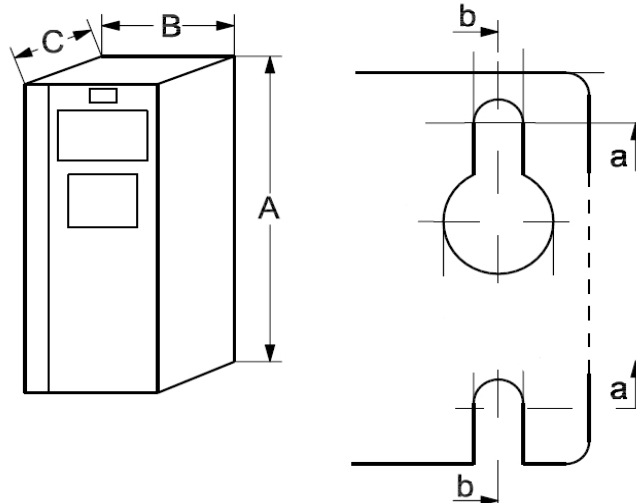
Dimensions		A	B	C	a	b	Weight
IP20 enclosure	(type A2)	268	90	205	257	70	4,9 kg
IP55 enclosure	(type A4)	390	200	177	397	171	9,7 kg

Minimal space under and above drive: 100 mm

### Dimensions excl. options

Max. powerloss (heat dissipation) at full power :

116 Watt



Danfoss VLT Drives

Configure your drive with our Drive Configurator

0870 241 7100

[www.driveconfigurator.com](http://www.driveconfigurator.com)

# VLT AutomationDrive

# FC 302 3 kW 3x380-500V

FC302	PKxx	T5	Exx	H	x	x	x	x	x	x	x	SXXXX	Ax	Bx	Cx	Dx	Price GBP
<b>Power (Basic Price)</b>																	
3 kW - 7,2 A	P3K0																719
<b>Enclosure IP 20</b>			E20														0
IP55			E55														93
IP66			E66														201
IP55 with backplate			P55														104
<b>RFI-filter A2</b>				2													0
A1/B1 RFI-filter				1													83
<b>Brakeresistor - none</b>					X												0
with					B												57
<b>Display - none</b>						X											0
with numeric display						N											33
with graphic display						G											73
<b>Coating - none</b>							X										0
incl. coating							C										78
<b>General Options - none</b>								x									0
service switch								1									112
<b>Communication Options - None</b>													AX				0
Profibus (MCA 101)													A0				108
DeviceNet (MCA 104)													A4				81
CANOpen (MCA 105)													A6				81
Ethernet IP (MCA 121)													AN				222
<b>I/O Options - none</b>														BX			0
General I/O (MCB 101)														BK			69
Relay option (MCB 105)														BP			75
Encoder (MCB 102)														BR			151
CL Resolver MCB 103)														BU			173
Safety PLC interface (MCB 108)														BZ			58
<b>SyncPos Options - see general FC 300 options</b>															CX		0
<b>D-options - none</b>																DX	0
24Vdc back-up																D0	46

Because of rounding totalprices can differ from the prices on the other side of this page.  
 Prices valid from June 1 2012

# VLT AutomationDrive

## FC302-P4K0 3x380-500V

CT 160%; 4 kW / 10 A

- S2A Standard Version with class 2A RFI-filter
- ST Standard version with class 1A/1B RFI-filter
- SB ST + brakechopper

	Article nr.	Price GBP	Article nr.	Price GBP	Article nr.	Price GBP
	S2A		ST		SB	
IP20 encl. - no display	131B0100	771	131B0001	862	131B0006	924
IP20 encl. - no display + Profibus	131B0583	879	131B0529	970	131B0591	1032
IP20 encl. + Graphic Display	131B0080	844	131B0040	935	131B0050	997
IP20 encl. + Graphic Display + Profibus	131B0494	952	131B0456	1043	131B0485	1106
IP55 encl. + Graphic Display	131U1522	937	131N4198	1028	131U5630	1091
IP55 encl. + Graphic Display + Profibus	134f0984	1045	131X6648	1136	134f0985	1199

### Accessories

Brakeresistor IP21	110 ohm / 10% duty cycle	175U3017	164
Brakeresistor IP21	110 ohm / 40% duty cycle	175U3130	358
Flatpack Brakeres.	240 ohm / 11% duty cycle	175U0986	39 (2 pcs needed)
Sine Wave Filter - IP20		130B2444	283
dU/dT Filter - IP20		130B2836	335

For all other accessories and options see the general FC 300 accessories/options page

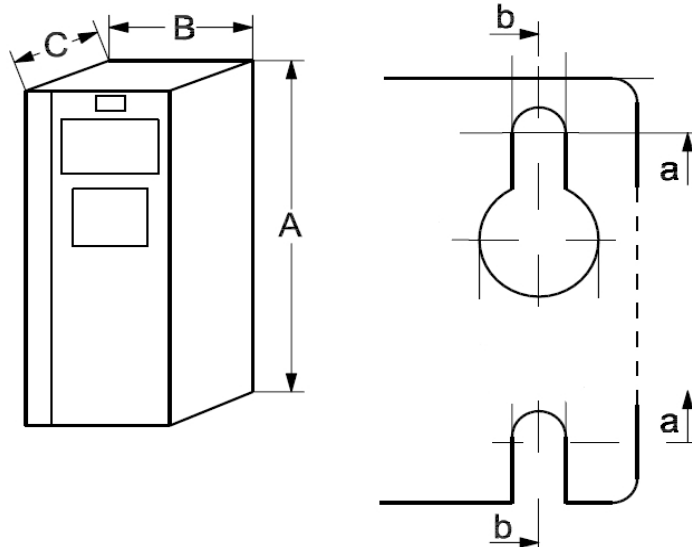
Dimensions		A	B	C	a	b	Weight
IP20 enclosure	(type A2)	268	90	205	257	70	4,9 kg
IP55 enclosure	(type A4)	390	200	177	397	171	9,7 kg

Minimal space under and above drive: 100 mm

### Dimensions excl. options

Max. powerloss (heat dissipation) at full power :

124 Watt



Danfoss VLT Drives

Configure your drive with our Drive Configurator

0870 241 7100

[www.driveconfigurator.com](http://www.driveconfigurator.com)

# VLT AutomationDrive

# FC 302 4 kW 3x380-500V

FC302	PKxx	T5	Exx	H	x	x	x	x	x	x	x	x	SXXXX	Ax	Bx	Cx	Dx	Price GBP
<b>Power (Basic Price)</b>																		
4 kW - 10 A	P4K0																	771
<b>Enclosure IP 20</b>			E20															0
IP55			E55															93
IP66			E66															201
IP55 with backplate			P55															104
<b>RFI-filter A2</b>				2														0
A1/B1 RFI-filter				1														91
<b>Brakeresistor - none</b>					X													0
with					B													63
<b>Display - none</b>						X												0
with numeric display						N												33
with graphic display						G												73
<b>Coating - none</b>							X											0
incl. coating							C											78
<b>General Options - none</b>								x										0
service switch								1										112
<b>Communication Options - None</b>														AX				0
Profibus (MCA 101)														A0				108
DeviceNet (MCA 104)														A4				81
CANOpen (MCA 105)														A6				81
Ethernet IP (MCA 121)														AN				222
<b>I/O Options - none</b>															BX			0
General I/O (MCB 101)															BK			69
Relay option (MCB 105)															BP			75
Encoder (MCB 102)															BR			151
CL Resolver MCB 103)															BU			173
Safety PLC interface (MCB 108)															BZ			58
<b>SyncPos Options - see general FC 300 options</b>																CX		0
<b>D-options - none</b>																	DX	0
24Vdc back-up																	D0	46

Because of rounding totalprices can differ from the prices on the other side of this page.  
 Prices valid from June 1 2012



# VLT AutomationDrive

## FC302-P5K5 3x380-500V

CT 160%; 5,5 kW / 13 A

S2A Standard Version with class 2A RFI-filter

ST Standard version with class 1A/1B RFI-filter

SB ST + brakechopper

	Article nr.	Price GBP	Article nr.	Price GBP	Article nr.	Price GBP
	S2A		ST		SB	
IP20 encl. - no display	131B0102	901	131B0002	1009	131B0005	1083
IP20 encl. - no display + Profibus	131B0584	1009	131B0533	1117	131B0592	1191
IP20 encl. + Graphic Display	131B0081	974	131B0041	1082	131B0051	1156
IP20 encl. + Graphic Display + Profibus	131B0654	1082	131B0457	1190	131B0486	1265
IP55 encl. + Graphic Display	131B1961	1067	131B1546	1176	131B2392	1250
IP55 encl. + Graphic Display + Profibus	131B3148	1176	131B3149	1284	131B3150	1358

### Accessories

Brakeresistor IP21	80 ohm / 10% duty cycle	175U3022	173
Brakeresistor IP21	80 ohm / 40% duty cycle	175U3138	325
Flatpack Brakeres.	160 ohm / 6,5% duty cycle	175U0988	39 (2 pcs needed)
Sine Wave Filter - IP20		130B2446	311
dU/dT Filter - IP20		130B2836	335

For all other accessories and options see the general FC 300 accessories/options page

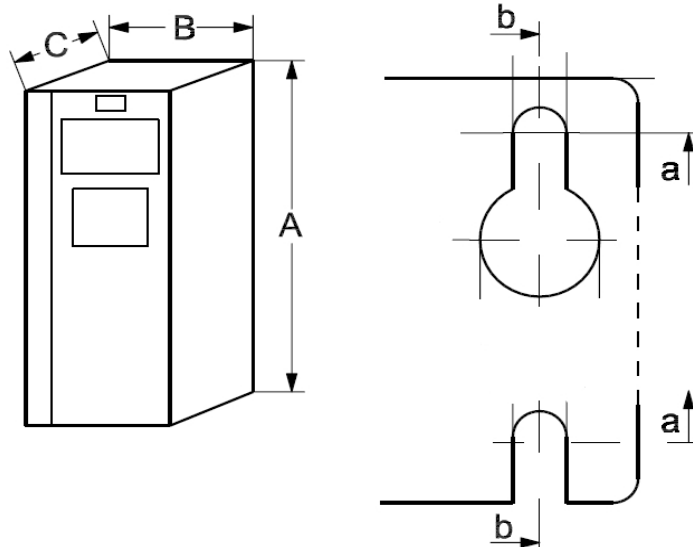
Dimensions		A	B	C	a	b	Weight
IP20 enclosure	(type A3)	268	130	205	257	110	6,6 kg
IP55 enclosure	(type A5)	420	242	195	402	215	14,2 kg

Minimal space under and above drive: 100 mm

### Dimensions excl. options

Max. powerloss (heat dissipation) at full power :

187 Watt



Danfoss VLT Drives

Configure your drive with our Drive Configurator

0870 241 7100

[www.driveconfigurator.com](http://www.driveconfigurator.com)

# VLT AutomationDrive

# FC 302 5,5 kW 3x380-500V

FC302	PKxx	T5	Exx	H	x	x	x	x	x	x	x	SXXXX	Ax	Bx	Cx	Dx	Price GBP
<b>Power (Basic Price)</b>																	
5,5 kW - 13 A	P5K5																901
<b>Enclosure IP 20</b>			E20														0
IP55			E55														93
IP66			E66														201
IP55 with backplate			P55														104
<b>RFI-filter A2</b>				2													0
A1/B1 RFI-filter				1													108
<b>Brakeresistor - none</b>					X												0
with					B												74
<b>Display - none</b>						X											0
with numeric display						N											33
with graphic display						G											73
<b>Coating - none</b>							X										0
incl. coating							C										78
<b>General Options - none</b>								x									0
service switch								1									112
<b>Communication Options - None</b>													AX				0
Profibus (MCA 101)													A0				108
DeviceNet (MCA 104)													A4				81
CANOpen (MCA 105)													A6				81
Ethernet IP (MCA 121)													AN				222
<b>I/O Options - none</b>														BX			0
General I/O (MCB 101)														BK			69
Relay option (MCB 105)														BP			75
Encoder (MCB 102)														BR			151
CL Resolver MCB 103)														BU			173
Safety PLC interface (MCB 108)														BZ			58
<b>SyncPos Options - see general FC 300 options</b>															CX		0
<b>D-options - none</b>																DX	0
24Vdc back-up																D0	46

Because of rounding totalprices can differ from the prices on the other side of this page.  
 Prices valid from June 1 2012

# VLT AutomationDrive

## FC302-P7K5 3x380-500V

CT 160%; 7,5 kW / 16 A

S2A Standard Version with class 2A RFI-filter

ST Standard version with class 1A/1B RFI-filter

SB ST + brakechopper

	Article nr.	Price GBP	Article nr.	Price GBP	Article nr.	Price GBP
	S2A		ST		SB	
IP20 encl. - no display	131B0101	1022	131B0003	1147	131B0004	1234
IP20 encl. - no display + Profibus	131B0617	1130	131B0542	1255	131B0593	1342
IP20 encl. + Graphic Display	131B0082	1095	131B0042	1220	131B0052	1307
IP20 encl. + Graphic Display + Profibus	131B0655	1203	131B0458	1328	131B0487	1415
IP55 encl. + Graphic Display	131B1962	1188	131B1547	1313	131B1067	1400
IP55 encl. + Graphic Display + Profibus	131B3158	1296	131B3159	1421	131B3160	1508

### Accessories

Brakeresistor IP21 56 ohm / 10% duty cycle	175U3027	194		
Brakeresistor IP21 56 ohm / 40% duty cycle	175U3146	373		
Flatpack Brakeres. 130 ohm / 4% duty cycle	175U0990	39	(2 pcs needed)	
Sine Wave Filter - IP20	130B2446	311		
dU/dT Filter - IP20	130B2836	335		

For all other accessories and options see the general FC 300 accessories/options page

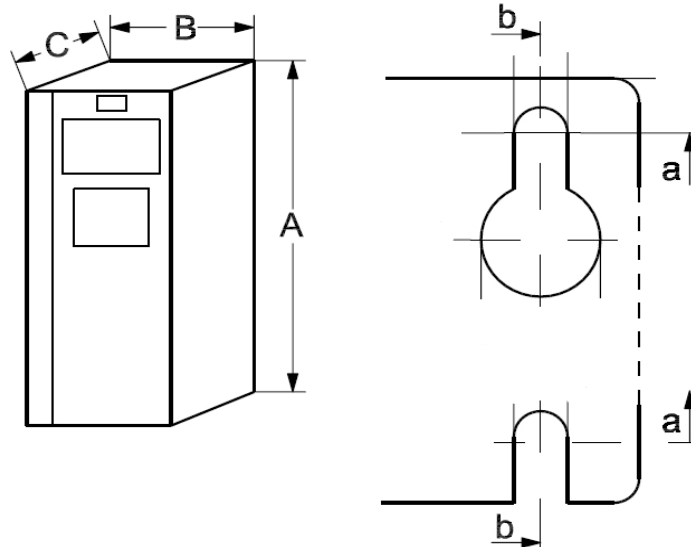
Dimensions		A	B	C	a	b	Weight
IP20 enclosure (type A3)		268	130	205	257	110	6,6 kg
IP55 enclosure (type A5)		420	242	195	402	215	14,2 kg

Minimal space under and above drive: 100 mm

### Dimensions excl. options

Max. powerloss (heat dissipation) at full power :

255 Watt



Danfoss VLT Drives

Configure your drive with our Drive Configurator

0870 241 7100

[www.driveconfigurator.com](http://www.driveconfigurator.com)

# VLT AutomationDrive

# FC 302 7,5 kW 3x380-500V

FC302	PKxx	T5	Exx	H	x	x	x	x	x	x	x	x	SXXXX	Ax	Bx	Cx	Dx	Price GBP
<b>Power (Basic Price)</b>																		
7,5 kW - 16 A	P7K5																	1022
<b>Enclosure IP 20</b>			E20															0
IP55			E55															93
IP66			E66															201
IP55 with backplate			P55															104
<b>RFI-filter A2</b>				2														0
A1/B1 RFI-filter				1														125
<b>Brakeresistor - none</b>					X													0
with					B													87
<b>Display - none</b>						X												0
with numeric display						N												33
with graphic display						G												73
<b>Coating - none</b>							X											0
incl. coating							C											78
<b>General Options - none</b>								x										0
service switch								1										112
<b>Communication Options - None</b>														AX				0
Profibus (MCA 101)														A0				108
DeviceNet (MCA 104)														A4				81
CANOpen (MCA 105)														A6				81
Ethernet IP (MCA 121)														AN				222
<b>I/O Options - none</b>															BX			0
General I/O (MCB 101)															BK			69
Relay option (MCB 105)															BP			75
Encoder (MCB 102)															BR			151
CL Resolver MCB 103)															BU			173
Safety PLC interface (MCB 108)															BZ			58
<b>SyncPos Options - see general FC 300 options</b>																CX		0
<b>D-options - none</b>																	DX	0
24Vdc back-up																	D0	46

Because of rounding totalprices can differ from the prices on the other side of this page.

Prices valid from June 1 2012

## FC302-P11K 3x380-500V

CT 160%; 11 kW / 24 A

S2A Standard Version with class 2A RFI-filter

ST Standard version with class 1A/1B RFI-filter

SB ST + brakechopper

110%; 15 kW / 32 A

	Article nr.	Price GBP	Article nr.	Price GBP	Article nr.	Price GBP
	S2A		ST		SB	
IP20 encl. - no display	131F7145	1520	131F7527	1693	131F7924	1810
IP20 encl. - no display + Profibus	131F8840	1628	131F8847	1801	131F8848	1919
IP20 encl. + Graphic Display	131F0428	1593	131B9826	1766	131F0158	1884
IP20 encl. + Graphic Display + Profibus	131F8843	1701	131F8844	1874	131F6613	1992
IP55 encl. + Graphic Display	131B1157	1777	131B1168	1949	131B1627	2067
IP55 encl. + Graphic Display + Profibus	131B3199	1885	131B3198	2057	131B3197	2175

### Accessories

Brakeresistor IP21 38 ohm / 10% duty cycle	175U3034	249		
Brakeresistor IP21 38 ohm / 40% duty cycle	175U3156	699		
Flatpack Brakeres. 80 ohm / 9% duty cycle	175U0090	59	(2 pcs needed)	
Sine Wave Filter - IP20	130B2447	484		
dU/dT Filter - IP20	130B2836	335		

For all other accessories and options see the general FC 300 accessories/options page

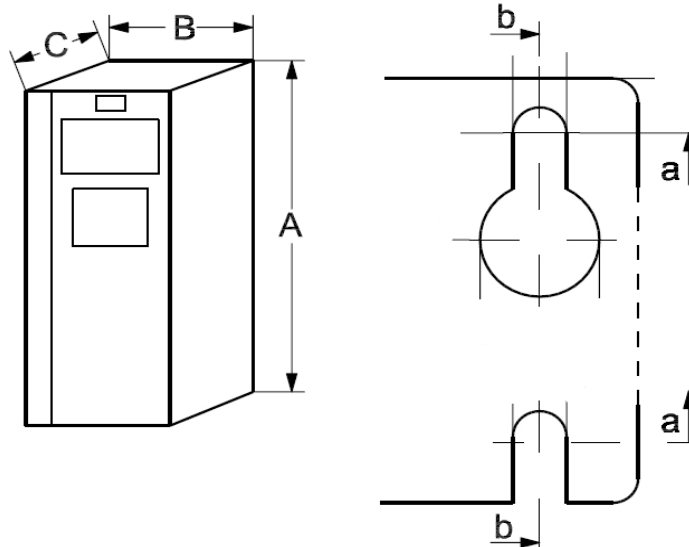
Dimensions		A	B	C	a	b	Weight
IP20 enclosure	(type B3)	399	165	249	380	140	12 kg
IP55 enclosure	(type B1)	480	242	260	454	210	23 kg

Minimal space under and above drive B1 100 mm and B3 200 mm

### Dimensions excl. options

Max. powerloss (heat dissipation) at full power (based on 160%) :

291 Watt



# VLT AutomationDrive

# FC 302 11 kW 3x380-500V

FC302	PKxx	T5	Exx	H	x	x	x	x	x	x	x	x	SXXXX	Ax	Bx	Cx	Dx	Price GBP
<b>Power (Basic Price)</b>																		
11 kW - 24 A	P11K																	1520
<b>Enclosure IP 20</b>			E20															0
IP21			E21															122
IP55			E55															182
IP66			E66															303
IP21 met backplate			P21															134
IP55 with backplate			P55															197
<b>RFI-filter A2</b>				2														0
A1/B1 RFI-filter				1														173
<b>Brakeresistor - none</b>					X													0
with					B													118
<b>Display - none</b>						X												0
with numeric display						N												33
with graphic display						G												73
<b>Coating - none</b>							X											0
incl. coating							C											78
<b>General Options - none</b>								X										0
service switch									1									183
Service switch + Loadsharing										8								269
Loadsharing											D							86
<b>Communication Options - None</b>														AX				0
Profibus (MCA 101)														A0				108
DeviceNet (MCA 104)														A4				81
CANOpen (MCA 105)														A6				81
Ethernet IP (MCA 121)														AN				222
<b>I/O Options - none</b>															BX			0
General I/O (MCB 101)															BK			69
Relay option (MCB 105)															BP			75
Encoder (MCB 102)															BR			151
CL Resolver MCB 103)															BU			173
Safety PLC interface (MCB 108)															BZ			58
<b>SyncPos Options - see general FC 300 options</b>																CX		0
<b>D-options - none</b>																	DX	0
24Vdc back-up																	D0	46

Because of rounding totalprices can differ from the prices on the other side of this page.

Prices valid from June 1 2012

# VLT AutomationDrive

## FC302-P15K 3x380-500V

**CT 160%; 15 kW / 32 A**

**110%; 18,5 kW / 37,5 A**

S2A Standard Version with class 2A RFI-filter

ST Standard version with class 1A/1B RFI-filter

SB ST + brakechopper

	Article nr.	Price GBP	Article nr.	Price GBP	Article nr.	Price GBP
	S2A		ST		SB	
IP20 encl. - no display	131B9726	1920	131F8654	2123	131F8655	2273
IP20 encl. - no display + Profibus	131F8883	2028	131F8890	2231	131F8891	2381
IP20 encl. + Graphic Display	131F0429	1993	131F0430	2196	131F6612	2346
IP20 encl. + Graphic Display + Profibus	131F8886	2101	131F8887	2304	131F5235	2454
IP55 encl. + Graphic Display	131B1165	2224	131B1167	2427	131B1177	2577
IP55 encl. + Graphic Display + Profibus	131B3213	2332	131B3212	2536	131B3211	2685

### Accessories

Brakeresistor IP21	28 ohm / 10% duty cycle	175U3039	316	
Brakeresistor IP21	28 ohm / 40% duty cycle	175U3166	1146	
Flatpack Brakeres.	72 ohm / 6% duty cycle	175U0091	59	(2 pcs needed)
Sine Wave Filter - IP20		130B2448	675	
dU/dT Filter - IP20		130B2836	335	

For all other accessories and options see the general FC 300 accessories/options page

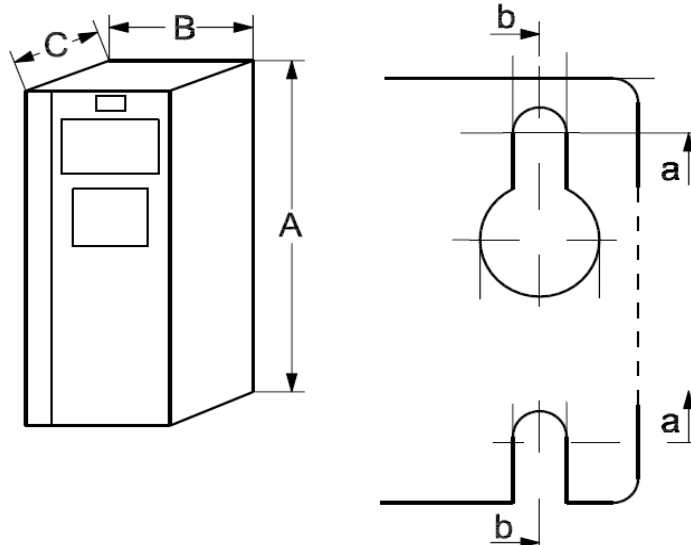
Dimensions		A	B	C	a	b	Weight
IP20 enclosure	(type B3)	399	165	249	380	140	12 kg
IP55 enclosure	(type B1)	480	242	260	454	210	23 kg

Minimal space under and above drive B1 100 mm and B3 200 mm

### Dimensions excl. options

Max. powerloss (heat dissipation) at full power (based on 160%) :

379 Watt



Danfoss VLT Drives

Configure your drive with our Drive Configurator

0870 241 7100

[www.driveconfigurator.com](http://www.driveconfigurator.com)

# VLT AutomationDrive

# FC 302 15 kW 3x380-500V

FC302	PKxx	T5	Exx	H	x	x	x	x	x	x	x	x	SXXXX	Ax	Bx	Cx	Dx	Price GBP
<b>Power (Basic Price)</b>																		
15 kW - 32 A	P15K																	1920
<b>Enclosure IP 20</b>			E20															0
IP21			E21															154
IP55			E55															230
IP66			E66															384
IP21 met backplate			P21															165
IP55 with backplate			P55															244
<b>RFI-filter A2</b>				2														0
A1/B1 RFI-filter				1														204
<b>Brakeresistor - none</b>					X													0
with					B													149
<b>Display - none</b>						X												0
with numeric display						N												33
with graphic display						G												73
<b>Coating - none</b>							X											0
incl. coating							C											78
<b>General Options - none</b>								X										0
service switch									1									183
Service switch + Loadsharing										8								275
Loadsharing											D							91
<b>Communication Options - None</b>														AX				0
Profibus (MCA 101)														A0				108
DeviceNet (MCA 104)														A4				81
CANOpen (MCA 105)														A6				81
Ethernet IP (MCA 121)														AN				222
<b>I/O Options - none</b>															BX			0
General I/O (MCB 101)															BK			69
Relay option (MCB 105)															BP			75
Encoder (MCB 102)															BR			151
CL Resolver MCB 103)															BU			173
Safety PLC interface (MCB 108)															BZ			58
<b>SyncPos Options - see general FC 300 options</b>																CX		0
<b>D-options - none</b>																	DX	0
24Vdc back-up																	D0	46

Because of rounding totalprices can differ from the prices on the other side of this page.

Prices valid from June 1 2012



# VLT AutomationDrive

## FC302-P18K 3x380-500V

CT 160%; 18,5 kW / 37,5 A

S2A Standard Version with class 2A RFI-filter

110%; 22 kW / 44 A

ST Standard version with class 1A/1B RFI-filter

SB ST + brakechopper

	Article nr.	Price GBP	Article nr.	Price GBP	Article nr.	Price GBP
	S2A		ST		SB	
IP20 encl. - no display	131F7146	2268	131H3937	2498	131H3946	2668
IP20 encl. - no display + Profibus	131H3940	2378	131H3945	2608	131H3947	2777
IP20 encl. + Graphic Display	131F0432	2342	131F0431	2572	131F6618	2741
IP20 encl. + Graphic Display + Profibus	131H3942	2450	131H1597	2680	131F6619	3010
IP55 encl. + Graphic Display	131B1859	2614	131B1854	2844	131B1524	3014
IP55 encl. + Graphic Display + Profibus	131B7519	2722	131B4616	2952	131B4613	3122

### Accessories

Brakeresistor IP21 22 ohm / 10% duty cycle	175U3047	287
Brakeresistor IP21 22 ohm / 40% duty cycle	175U3170	1184
Sine Wave Filter - IP20	130B2448	675
dU/dT Filter - IP20	130B2836	335

For all other accessories and options see the general FC 300 accessories/options page

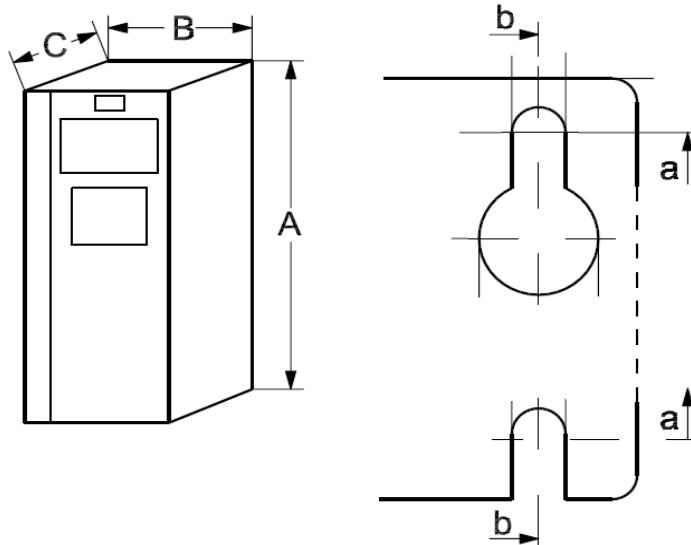
Dimensions		A	B	C	a	b	Weight
IP20 enclosure	(type B4)	520	230	242	495	200	23,5 kg
IP55 enclosure	(type B2)	650	242	260	624	210	27 kg

Minimal space under and above drive B2 100 mm and B4 200 mm

### Dimensions excl. options

Max. powerloss (heat dissipation) at full power (based on 160%) :

444 Watt



Danfoss VLT Drives

0870 241 7100

Configure your drive with our Drive Configurator

[www.driveconfigurator.com](http://www.driveconfigurator.com)

# VLT AutomationDrive

# FC 302 18,5 kW 3x380-500V

FC302	PKxx	T5	Exx	H	x	x	x	x	x	x	x	SXXXX	Ax	Bx	Cx	Dx	Price GBP
<b>Power (Basic Price)</b>																	
18,5 kW - 37,5 A	P18K																2268
<b>Enclosure IP 20</b>			E20														0
IP21			E21														181
IP55			E55														272
IP66			E66														454
IP21 met backplate			P21														193
IP55 with backplate			P55														286
<b>RFI-filter A2</b>				2													0
A1/B1 RFI-filter				1													230
<b>Brakeresistor - none</b>					X												0
with					B												170
<b>Display - none</b>						X											0
with numeric display						N											33
with graphic display						G											73
<b>Coating - none</b>							X										0
incl. coating							C										78
<b>General Options - none</b>								X									0
service switch								1									183
Service switch + Loadsharing								8									290
Loadsharing								D									107
<b>Communication Options - None</b>													AX				0
Profibus (MCA 101)													A0				108
DeviceNet (MCA 104)													A4				81
CANOpen (MCA 105)													A6				81
Ethernet IP (MCA 121)													AN				222
<b>I/O Options - none</b>														BX			0
General I/O (MCB 101)														BK			69
Relay option (MCB 105)														BP			75
Encoder (MCB 102)														BR			151
CL Resolver MCB 103)														BU			173
Safety PLC interface (MCB 108)														BZ			58
<b>SyncPos Options - see general FC 300 options</b>															CX		0
<b>D-options - none</b>																DX	0
24Vdc back-up																D0	46

Because of rounding totalprices can differ from the prices on the other side of this page.

Prices valid from June 1 2012

## FC302-P22K 3x380-500V

**CT 160%; 22 kW / 44 A**

**110%; 30 kW / 61 A**

S2A Standard Version with class 2A RFI-filter

ST Standard version with class 1A/1B RFI-filter

SB ST + brakechopper

	Article nr.	Price GBP	Article nr.	Price GBP	Article nr.	Price GBP
	S2A		ST		SB	
IP20 encl. - no display	131F7147	2644	131H1429	2909	131H3956	3099
IP20 encl. - no display + Profibus	131H3950	2752	131H3954	3036	131H3957	3208
IP20 encl. + Graphic Display	131F0433	2717	131B5946	2982	131F6617	3173
IP20 encl. + Graphic Display + Profibus	131H3952	2825	131H1592	3090	131H3955	3281
IP55 encl. + Graphic Display	131B1879	3035	131B1874	3300	131B1523	3491
IP55 encl. + Graphic Display + Profibus	131B7441	3143	131B4611	3408	131B4608	3599

### Accessories

Brakeresistor IP21 19 ohm / 10% duty cycle	175U3049	358
Brakeresistor IP20 19 ohm / 40% duty cycle	175U3203	733
Sine Wave Filter - IP20	130B2307	1181
dU/dT Filter - IP20	130B2836	335

For all other accessories and options see the general FC 300 accessories/options page

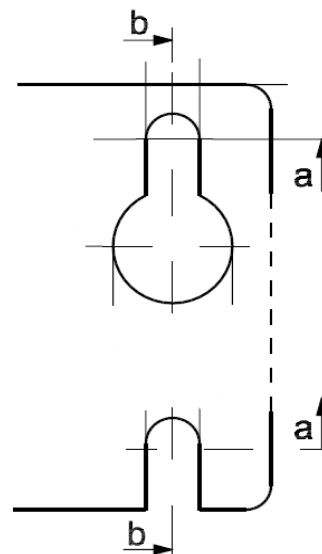
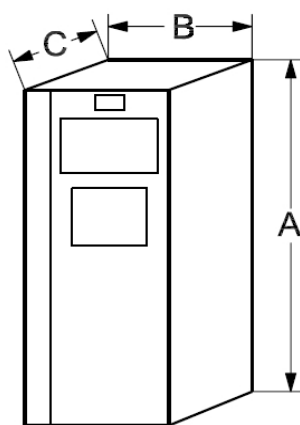
Dimensions		A	B	C	a	b	Weight
IP20 enclosure	(type B4)	520	230	242	495	200	23,5 kg
IP55 enclosure	(type B2)	650	242	260	624	210	27 kg

Minimal space under and above drive B2 100 mm and B4 200 mm

### Dimensions excl. options

Max. powerloss (heat dissipation) at full power (based on 160%) :

547 Watt



# VLT AutomationDrive

# FC 302 22 kW 3x380-500V

FC302	PKxx	T5	Exx	H	x	x	x	x	x	x	x	SXXXX	Ax	Bx	Cx	Dx	Price GBP
<b>Power (Basic Price)</b>																	
22 kW - 44 A	P22K																2644
<b>Enclosure IP 20</b>			E20														0
IP21			E21														212
IP55			E55														318
IP66			E66														528
IP21 met backplate			P21														224
IP55 with backplate			P55														313
<b>RFI-filter A2</b>				2													0
A1/B1 RFI-filter				1													265
<b>Brakeresistor - none</b>					X												0
with					B												191
<b>Display - none</b>						X											0
with numeric display						N											33
with graphic display						G											73
<b>Coating - none</b>							X										0
incl. coating							C										78
<b>General Options - none</b>								X									0
service switch									1								183
Service switch + Loadsharing										8							298
Loadsharing											D						114
<b>Communication Options - None</b>													AX				0
Profibus (MCA 101)													A0				108
DeviceNet (MCA 104)													A4				81
CANOpen (MCA 105)													A6				81
Ethernet IP (MCA 121)													AN				222
<b>I/O Options - none</b>														BX			0
General I/O (MCB 101)														BK			69
Relay option (MCB 105)														BP			75
Encoder (MCB 102)														BR			151
CL Resolver MCB 103)														BU			173
Safety PLC interface (MCB 108)														BZ			58
<b>SyncPos Options - see general FC 300 options</b>															CX		0
<b>D-options - none</b>																DX	0
24Vdc back-up																D0	46

Because of rounding totalprices can differ from the prices on the other side of this page.

Prices valid from June 1 2012

## FC302-P30K 3x380-500V

CT 160%; 30 kW / 61 A

110%; 37 kW / 73 A

S2A Standard Version with class 2A RFI-filter

ST Standard version with class 1A/1B RFI-filter

SB ST + brakechopper

	Article nr.	Price GBP	Article nr.	Price GBP	Article nr.	Price GBP
	S2A		ST		SB	
IP20 encl. - no display	131F7148	3220	131H3960	3493	131H3964	3733
IP20 encl. - no display + Profibus	131H3958	3328	131H3962	3601	131H3965	3841
IP20 encl. + Graphic Display	131F0435	3293	131F0434	3566	131F6616	3806
IP20 encl. + Graphic Display + Profibus	131H3959	3402	131H1600	3674	131H3963	3915
IP55 encl. + Graphic Display	131B5904	3616	131B4575	3888	131B3265	4129
IP55 encl. + Graphic Display + Profibus	131B7456	3724	131B5533	3996	131B7126	4237

### Accessories

Brakeresistor IP21 14 ohm / 10% duty cycle	175U3055	373
Brakeresistor IP20 14 ohm / 40% duty cycle	175U3206	929
Sine Wave Filter - IP20	130B2308	1397
dU/dT Filter - IP20	130B2839	594

For all other accessories and options see the general FC 300 accessories/options page

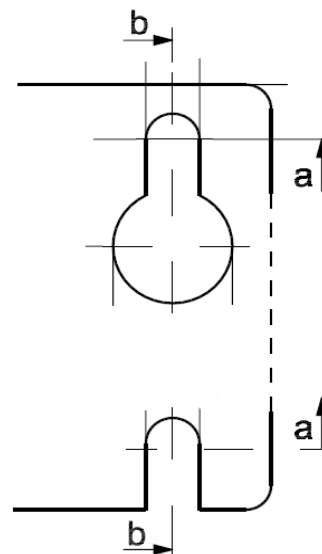
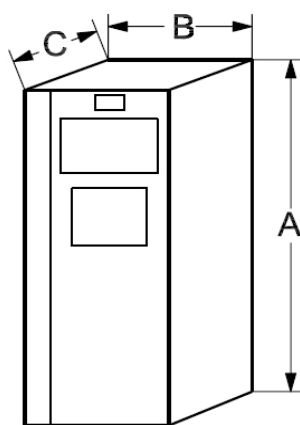
Dimensions		A	B	C	a	b	Weight
IP20 enclosure	(type B4)	520	230	242	495	200	23,5 kg
IP55 enclosure	(type C1)	680	308	310	648	272	45 kg

Minimal space under and above drive: 200 mm

### Dimensions excl. options

Max. powerloss (heat dissipation) at full power (based on 160%) :

570 Watt



# VLT AutomationDrive

# FC 302 30 kW 3x380-500V

FC302	PKxx	T5	Exx	H	x	x	x	x	x	x	x	x	SXXXX	Ax	Bx	Cx	Dx	Price GBP
<b>Power (Basic Price)</b>																		
30 kW - 61 A	P30K																	3220
<b>Enclosure IP 20</b>			E20															0
IP21			E21															258
IP55			E55															322
IP66			E66															579
IP21 met backplate			P21															272
IP55 with backplate			P55															340
<b>RFI-filter A2</b>				2														0
A1/B1 RFI-filter				1														272
<b>Brakeresistor - none</b>					X													0
with					B													241
<b>Display - none</b>						X												0
with numeric display						N												33
with graphic display						G												73
<b>Coating - none</b>							X											0
incl. coating							C											78
<b>General Options - none</b>								X										0
service switch									1									270
Service switch + Loadsharing										8								401
Loadsharing											D							130
<b>Communication Options - None</b>														AX				0
Profibus (MCA 101)														A0				108
DeviceNet (MCA 104)														A4				81
CANOpen (MCA 105)														A6				81
Ethernet IP (MCA 121)														AN				222
<b>I/O Options - none</b>															BX			0
General I/O (MCB 101)															BK			69
Relay option (MCB 105)															BP			75
Encoder (MCB 102)															BR			151
CL Resolver MCB 103)															BU			173
Safety PLC interface (MCB 108)															BZ			58
<b>SyncPos Options - see general FC 300 options</b>																CX		0
<b>D-options - none</b>																	DX	0
24Vdc back-up																	D0	46

Because of rounding totalprices can differ from the prices on the other side of this page.

Prices valid from June 1 2012

# VLT AutomationDrive

## FC302-P37K 3x380-500V

CT 160%; 37 kW / 73 A

110%; 45 kW / 90 A

S2A Standard Version with class 2A RFI-filter

ST Standard version with class 1A/1B RFI-filter

SB ST + brakechopper

	Article nr.	Price GBP	Article nr.	Price GBP	Article nr.	Price GBP
	S2A		ST		SB	
IP20 encl. - no display	131F7149	3958	131H5476	4282	131H5561	4579
IP20 encl. - no display + Profibus	131H5559	4066	131H5236	4391	131H5562	4687
IP20 encl. + Graphic Display	131F0436	4031	131F0437	4356	131F0177	4652
IP20 encl. + Graphic Display + Profibus	131H5560	4139	131H1599	4464	131F6620	4760
IP55 encl. + Graphic Display	131B5911	4427	131B4577	4751	131B4592	5048
IP55 encl. + Graphic Display + Profibus	131B7472	4535	131B5534	4859	131B7130	5156

### Accessories

Brakeresistor IP21 12 ohm / 10% duty cycle	175U3061	386
Brakeresistor IP20 12 ohm / 40% duty cycle	175U3210	1167
Sine Wave Filter - IP20	130B2309	1612
dU/dT Filter - IP20	130B2839	594

For all other accessories and options see the general FC 300 accessories/options page

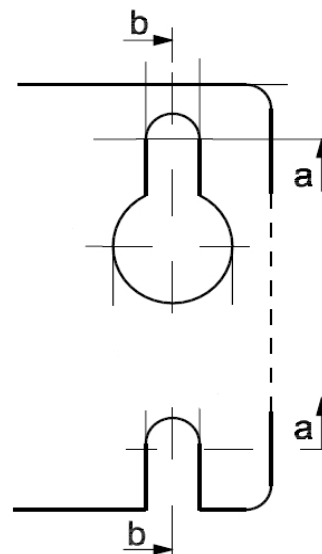
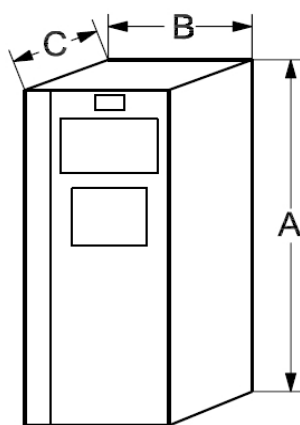
Dimensions		A	B	C	a	b	Weight
IP20 enclosure	(type C3)	550	308	333	521	270	35 kg
IP55 enclosure	(type C1)	680	308	310	648	272	45 kg

Minimal space under and above drive: 200 mm

### Dimensions excl. options

Max. powerloss (heat dissipation) at full power (based on 160%) :

697 Watt



Danfoss VLT Drives

Configure your drive with our Drive Configurator

0870 241 7100

[www.driveconfigurator.com](http://www.driveconfigurator.com)

# VLT AutomationDrive

# FC 302 37 kW 3x380-500V

FC302	PKxx	T5	Exx	H	x	x	x	x	x	x	x	x	SXXXX	Ax	Bx	Cx	Dx	Price GBP
<b>Power (Basic Price)</b>	↑		↑		↑	↑	↑	↑	↑	↑	↑	↑		↑	↑	↑	↑	
37 kW - 73 A	P37K																	3958
<b>Enclosure IP 20</b>			E20															0
IP21			E21															317
IP55			E55															395
IP66			E66															712
IP21 met backplate			P21															332
IP55 with backplate			P55															413
<b>RFI-filter A2</b>				2														0
A1/B1 RFI-filter				1														324
<b>Brakeresistor - none</b>					X													0
with					B													297
<b>Display - none</b>						X												0
with numeric display						N												33
with graphic display						G												73
<b>Coating - none</b>							X											0
incl. coating							C											78
<b>General Options - none</b>								X										0
service switch								1										270
Service switch + Loadsharing								8										406
Loadsharing								D										136
<b>Communication Options - None</b>														AX				0
Profibus (MCA 101)														A0				108
DeviceNet (MCA 104)														A4				81
CANOpen (MCA 105)														A6				81
Ethernet IP (MCA 121)														AN				222
<b>I/O Options - none</b>															BX			0
General I/O (MCB 101)															BK			69
Relay option (MCB 105)															BP			75
Encoder (MCB 102)															BR			151
CL Resolver MCB 103)															BU			173
Safety PLC interface (MCB 108)															BZ			58
<b>SyncPos Options - see general FC 300 options</b>																CX		0
<b>D-options - none</b>																	DX	0
24Vdc back-up																	D0	46

Because of rounding totalprices can differ from the prices on the other side of this page.

Prices valid from June 1 2012



## FC302-P45K 3x380-500V

CT 160%; 45 kW / 90 A

110%; 55 kW / 106 A

S2A Standard Version with class 2A RFI-filter

ST Standard version with class 1A/1B RFI-filter

SB ST + brakechopper

	Article nr.	Price GBP	Article nr.	Price GBP	Article nr.	Price GBP
	S2A		ST		SB	
IP20 encl. - no display	131F7150	4748	131H5566	5186	131H5569	5541
IP20 encl. - no display + Profibus	131H5564	4856	131H5567	5294	131H5570	5649
IP20 encl. + Graphic Display	131F0439	4821	131F0438	5259	131F6615	5614
IP20 encl. + Graphic Display + Profibus	131H5565	4929	131H1845	5367	131H5571	5722
IP55 encl. + Graphic Display	131B5914	5296	131B4579	5734	131B3266	6089
IP55 encl. + Graphic Display + Profibus	131B7487	5404	131B7135	5842	131B7136	6197

### Accessories

Brakeresistor IP21 9.5 ohm / 10% duty cycle	175U3065	686
Brakeresistor IP20 10 ohm / 40% duty cycle	175U3213	1392
Sine Wave Filter - IP20	130B3181	2191
dU/dT Filter - IP20	130B2839	594

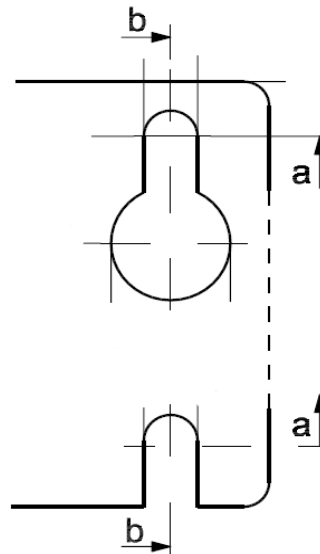
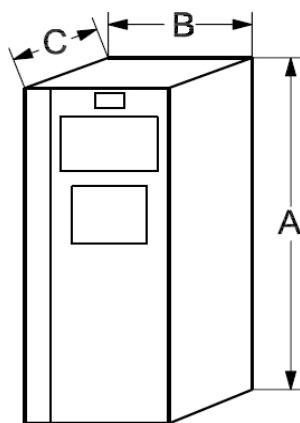
For all other accessories and options see the general FC 300 accessories/options page

Dimensions		A	B	C	a	b	Weight
IP20 enclosure	(type C3)	550	308	333	521	270	35 kg
IP55 enclosure	(type C1)	680	308	310	648	272	45 kg

Minimal space under and above drive: 200 mm

### Dimensions excl. options

Max. powerloss (heat dissipation) at full power (based on 160%) : 891 Watt



# VLT AutomationDrive

# FC 302 45 kW 3x380-500V

FC302	PKxx	T5	Exx	H	x	x	x	x	x	x	x	x	SXXXX	Ax	Bx	Cx	Dx	Price GBP
<b>Power (Basic Price)</b>																		
45 kW - 90 A	P45K																	4748
<b>Enclosure IP 20</b>			E20															0
IP21			E21															381
IP55			E55															475
IP66			E66															854
IP21 met backplate			P21															395
IP55 with backplate			P55															493
<b>RFI-filter A2</b>				2														0
A1/B1 RFI-filter				1														438
<b>Brakeresistor - none</b>					X													0
with					B													355
<b>Display - none</b>						X												0
with numeric display						N												33
with graphic display						G												73
<b>Coating - none</b>							X											0
incl. coating							C											78
<b>General Options - none</b>								X										0
service switch								1										270
Service switch + Loadsharing								8										429
Loadsharing								D										159
<b>Communication Options - None</b>													AX					0
Profibus (MCA 101)													A0					108
DeviceNet (MCA 104)													A4					81
CANOpen (MCA 105)													A6					81
Ethernet IP (MCA 121)													AN					222
<b>I/O Options - none</b>														BX				0
General I/O (MCB 101)														BK				69
Relay option (MCB 105)														BP				75
Encoder (MCB 102)														BR				151
CL Resolver MCB 103)														BU				173
Safety PLC interface (MCB 108)														BZ				58
<b>SyncPos Options - see general FC 300 options</b>															CX			0
<b>D-options - none</b>																DX		0
24Vdc back-up																D0		46

Because of rounding totalprices can differ from the prices on the other side of this page.

Prices valid from June 1 2012

## FC302-P55K 3x380-500V

CT 160%; 55 kW / 106 A

110%; 75 kW / 147 A

S2A Standard Version with class 2A RFI-filter

ST Standard version with class 1A/1B RFI-filter

SB ST + brakechopper

	Article nr.	Price GBP	Article nr.	Price GBP	Article nr.	Price GBP
	S2A		ST		SB	
IP20 encl. - no display	131F7151	5411	131H3092	5991	131H3091	6396
IP20 encl. - no display + Profibus	131H2032	5519	131H2071	6099	131H3970	6504
IP20 encl. + Graphic Display	131F0440	5484	131F0444	6064	131F0178	6469
IP20 encl. + Graphic Display + Profibus	131H3967	5593	131H1594	6172	131H3969	6577
IP55 encl. + Graphic Display	131B6035	6026	131B4582	6606	131B5598	7011
IP55 encl. + Graphic Display + Profibus	131F8351	6134	131B8646	6714	131B9666	7119

### Accessories

Brakeresistor IP21 7 ohm / 10% duty cycle	175U3070	699
Brakeresistor IP20 7 ohm / 40% duty cycle	175U3216	1598
Sine Wave Filter - IP20	130B3181	2191
dU/dT Filter - IP20	130B2842	778

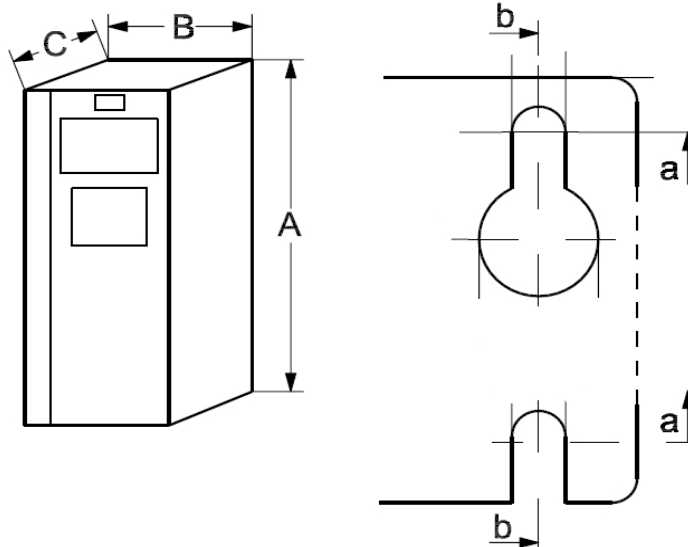
For all other accessories and options see the general FC 300 accessories/options page

Dimensions		A	B	C	a	b	Weight
IP20 enclosure	(type C4)	660	370	333	631	330	50 kg
IP55 enclosure	(type C2)	770	370	335	739	334	65 kg

Minimal space under and above drive: 225 mm

### Dimensions excl. options

Max. powerloss (heat dissipation) at full power (based on 160%) : 1022 Watt



# VLT AutomationDrive

# FC 302 55 kW 3x380-500V

FC302	PKxx	T5	Exx	H	x	x	x	x	x	x	x	x	SXXXX	Ax	Bx	Cx	Dx	Price GBP
<b>Power (Basic Price)</b>																		
55 kW - 106 A	P55K																	5411
<b>Enclosure IP 20</b>			E20															0
IP21			E21															434
IP55			E55															542
IP66			E66															973
IP21 met backplate			P21															448
IP55 with backplate			P55															560
<b>RFI-filter A2</b>				2														0
A1/B1 RFI-filter				1														580
<b>Brakeresistor - none</b>					X													0
with					B													405
<b>Display - none</b>						X												0
with numeric display						N												33
with graphic display						G												73
<b>Coating - none</b>							X											0
incl. coating							C											78
<b>General Options - none</b>								X										0
service switch								1										410
Loadsharing								D										180
<b>Communication Options - None</b>														AX				0
Profibus (MCA 101)														A0				108
DeviceNet (MCA 104)														A4				81
CANOpen (MCA 105)														A6				81
Ethernet IP (MCA 121)														AN				222
<b>I/O Options - none</b>															BX			0
General I/O (MCB 101)															BK			69
Relay option (MCB 105)															BP			75
Encoder (MCB 102)															BR			151
CL Resolver MCB 103)															BU			173
Safety PLC interface (MCB 108)															BZ			58
<b>SyncPos Options - see general FC 300 options</b>																CX		0
<b>D-options - none</b>																	DX	0
24Vdc back-up																	D0	46

Because of rounding totalprices can differ from the prices on the other side of this page.  
 Prices valid from June 1 2012

## FC302-P75K 3x380-500V

CT 160%; 75 kW / 147 A

110%; 90 kW / 177 A

S2A Standard Version with class 2A RFI-filter

ST Standard version with class 1A/1B RFI-filter

SB ST + brakechopper

	Article nr.	Price GBP	Article nr.	Price GBP	Article nr.	Price GBP
	S2A		ST		SB	
IP20 encl. - no display	131F7152	6204	131H2109	6853	131H2644	7318
IP20 encl. - no display + Profibus	131H3971	6312	131H3321	6961	131H3975	7426
IP20 encl. + Graphic Display	131F0446	6277	131F0445	6926	131F6614	7391
IP20 encl. + Graphic Display + Profibus	131H2641	6385	131H1602	7034	131H3972	7500
IP55 encl. + Graphic Display	131B6039	6898	131B4584	7547	131B6040	8013
IP55 encl. + Graphic Display + Profibus	131F6195	7007	131B9832	7655	131B8643	8121

### Accessories

Brakeresistor IP21 5.5 ohm / 10% duty cycle	175U3076	1146
Brakeresistor IP20 5.5 ohm / 40% duty cycle	175U3219	2212
Sine Wave Filter - IP20	130B3183	3163
dU/dT Filter - IP20	130B2845	1188

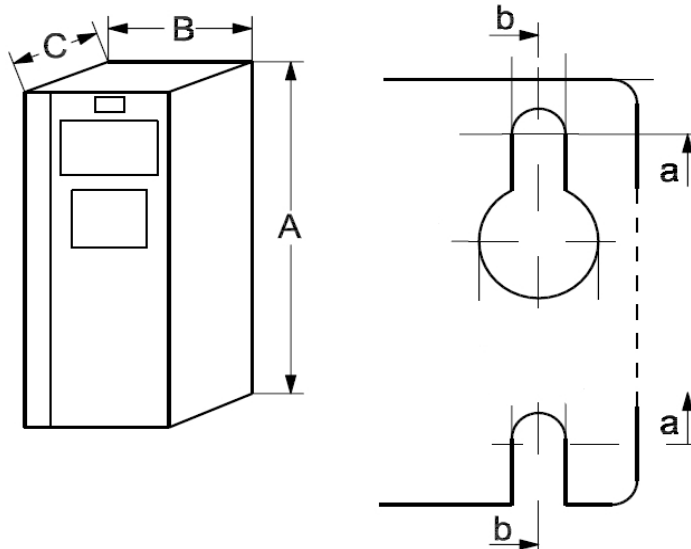
For all other accessories and options see the general FC 300 accessories/options page

Dimensions		A	B	C	a	b	Weight
IP20 enclosure	(type C4)	660	370	333	631	330	50 kg
IP55 enclosure	(type C2)	770	370	335	739	334	65 kg

Minimal space under and above drive: 225 mm

### Dimensions excl. options

Max. powerloss (heat dissipation) at full power (based on 160%) : 1232 Watt



# VLT AutomationDrive

# FC 302 75 kW 3x380-500V

FC302	PKxx	T5	Exx	H	x	x	x	x	x	x	x	x	SXXXX	Ax	Bx	Cx	Dx	Price GBP
<b>Power (Basic Price)</b>																		
75 kW - 147 A	P75K																	6204
<b>Enclosure IP 20</b>			E20															0
IP21			E21															496
IP55			E55															620
IP66			E66															1117
IP21 met backplate			P21															511
IP55 with backplate			P55															638
<b>RFI-filter A2</b>				2														0
A1/B1 RFI-filter				1														649
<b>Brakeresistor - none</b>					X													0
with					B													465
<b>Display - none</b>						X												0
with numeric display						N												33
with graphic display						G												73
<b>Coating - none</b>							X											0
incl. coating							C											78
<b>General Options - none</b>								X										0
service switch								1										410
Loadsharing								D										208
<b>Communication Options - None</b>														AX				0
Profibus (MCA 101)														A0				108
DeviceNet (MCA 104)														A4				81
CANOpen (MCA 105)														A6				81
Ethernet IP (MCA 121)														AN				222
<b>I/O Options - none</b>															BX			0
General I/O (MCB 101)															BK			69
Relay option (MCB 105)															BP			75
Encoder (MCB 102)															BR			151
CL Resolver MCB 103)															BU			173
Safety PLC interface (MCB 108)															BZ			58
<b>SyncPos Options - see general FC 300 options</b>																CX		0
<b>D-options - none</b>																	DX	0
24Vdc back-up																	D0	46

Because of rounding totalprices can differ from the prices on the other side of this page.  
 Prices valid from June 1 2012

# VLT AutomationDrive

## FC302-P90K 3x380-500V

CT 160%; 90 kW / 177 A

110%; 110 kW / 212 A

S2A Standard Version with class 2A RFI-filter

ST Standard version with class 1A RFI-filter

SB ST + brakechopper

	Article nr.	Price GBP	Article nr.	Price GBP	Article nr.	Price GBP
	S2A		ST		SB	
IP00 encl. - no display	131F2217	6427	131F2218	7219	131H0421	7739
IP00 encl. - no display + Profibus	131H0415	6535	131F7930	7327	131H0422	7847
IP00 encl. + Graphic Display	131B6818	6500	131B6813	7292	131B8492	7812
IP00 encl. + Graphic Display + Profibus	131B6823	6608	131B6824	7400	131F6838	7920
IP54 encl. + Graphic Display	131B6827	7315	131B6828	8107	131F2866	8627
IP54 encl. + Graphic Display + Profibus	131B6829	7423	131B6830	8215	131H0188	8735

### Accessories

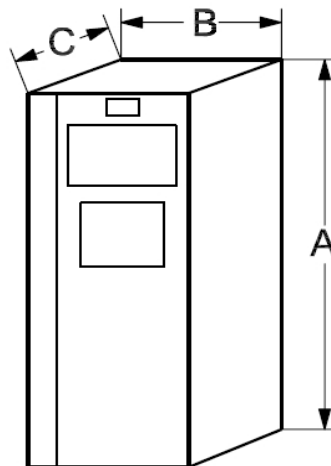
Brakeresistor IP20 4.7 ohm / 10% duty cycle	175U3079	695	
Brakeresistor IP20 4.7 ohm / 40% duty cycle	175U3221	2459	(2 pcs needed)
Sine Wave Filter - IP20	130B3183	3163	
dU/dT Filter - IP20	130B2845	1188	

For all other accessories and options see the general FC 300 accessories/options page

Dimensions		A	B	C	Weight
IP00 enclosure	(type D3)	997	408	373	82 kg
IP54 enclosure	(type D1)	1159	420	373	96 kg

Max. powerloss (heat dissipation) at full power (based on 160%) :

2641 Watt



Danfoss VLT Drives

Configure your drive with our Drive Configurator

0870 241 7100

[www.driveconfigurator.com](http://www.driveconfigurator.com)

# VLT AutomationDrive

# FC 302 90 kW 3x380-500V

FC302	PKxx	T5	Exx	H	x	x	x	x	x	x	x	SXXXX	Ax	Bx	Cx	Dx	Price GBP	
<b>Power (Basic Price)</b>																		
90 kW - 177 A	P90K																	6427
<b>Enclosure IP 00</b>			E00															0
IP21			E21															501
IP54			E54															815
IP21 with extra shield			E2M															663056
IP54 with extra shield			E5M															977
<b>RFI-filter A2</b>				2														0
A1 RFI-filter				4														792
Maritime use				6														1116
<b>Brakeresistor - none</b>					X													0
with					B													520
<b>Display - none</b>						X												0
with numeric display						N												33
with graphic display						G												73
<b>Coating - none</b>							X											0
incl. coating							C											264
<b>General Options - none</b>								X										0
Service switch + Fuses								3										497
Service switch + Fuses + Loadsh.								5										729
Fuses								7										196
Fuses + Loadsharing								A										428
Loadsharing								D										232
<b>Communication Options - None</b>													AX					0
Profibus (MCA 101)													A0					108
DeviceNet (MCA 104)													A4					81
CANOpen (MCA 105)													A6					81
Ethernet IP (MCA 121)													AN					222
<b>I/O Options - none</b>														BX				0
General I/O (MCB 101)														BK				69
Relay option (MCB 105)														BP				75
Encoder (MCB 102)														BR				151
CL Resolver MCB 103)														BU				173
Safety PLC interface (MCB 108)														BZ				58
<b>SyncPos Options - see general FC 300 options</b>															CX			0
<b>D-options - none</b>																DX		0
24Vdc back-up																D0		46

Because of rounding totalprices can differ from the prices on the other side of this page.  
 Prices valid from June 1 2012



## FC302-P110 3x380-500V

CT 160%; 110 kW / 212 A

110%; 132 kW / 260 A

S2A Standard Version with class 2A RFI-filter

ST Standard version with class 1A RFI-filter

SB ST + brakechopper

	Article nr.	Price GBP	Article nr.	Price GBP	Article nr.	Price GBP
	S2A		ST		SB	
IP00 encl. - no display	131F2336	7772	131F2337	8729	131H0428	9358
IP00 encl. - no display + Profibus	131H0424	7880	131H0426	8837	131H0429	9466
IP00 encl. + Graphic Display	131B6814	7845	131B6819	8802	131F1409	9431
IP00 encl. + Graphic Display + Profibus	131B6834	7953	131B6835	8910	131H0432	9539
IP54 encl. + Graphic Display	131B6838	8831	131B6839	9788	131F2893	10417
IP54 encl. + Graphic Display + Profibus	131B6840	8939	131B6841	9896	131F1825	10525

### Accessories

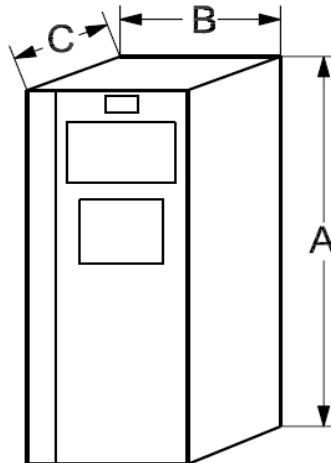
Brakeresistor IP20 3.7 ohm / 10% duty cycle	175U3083	806		
Brakeresistor IP20 3.7 ohm / 40% duty cycle	175U3223	2794	(2 pcs needed)	
Sine Wave Filter - IP20	130B3185	3821		
dU/dT Filter - IP23	130B2848	1512		

For all other accessories and options see the general FC 300 accessories/options page

Dimensions		A	B	C	Weight
IP00 enclosure	(type D3)	997	408	373	91 kg
IP54 enclosure	(type D1)	1159	420	373	104 kg

Max. powerloss (heat dissipation) at full power (based on 160%) :

2995 Watt



# VLT AutomationDrive

# FC 302 110 kW 3x380-500V

FC302	PKxx	T5	Exx	H	x	x	x	x	x	x	x	SXXXX	Ax	Bx	Cx	Dx	Price GBP
<b>Power (Basic Price)</b>																	
110 kW - 212 A	P110																7772
<b>Enclosure IP 00</b>			E00														0
IP21			E21														606
IP54			E54														986
IP21 with extra shield			E2M														769
IP54 with extra shield			E5M														1148
<b>RFI-filter A2</b>				2													0
A1 RFI-filter				4													962
Maritime use				6													1282
<b>Brakeresistor - none</b>					X												0
with					B												629
<b>Display - none</b>						X											0
with numeric display						N											33
with graphic display						G											73
<b>Coating - none</b>							X										0
incl. coating							C										264
<b>General Options - none</b>								X									0
Service switch + Fuses								3									497
Service switch + Fuses + Loadsh.								5									778
Fuses								7									196
Fuses + Loadsharing								A									477
Loadsharing								D									281
<b>Communication Options - None</b>													AX				0
Profibus (MCA 101)													A0				108
DeviceNet (MCA 104)													A4				81
CANOpen (MCA 105)													A6				81
Ethernet IP (MCA 121)													AN				222
<b>I/O Options - none</b>														BX			0
General I/O (MCB 101)														BK			69
Relay option (MCB 105)														BP			75
Encoder (MCB 102)														BR			151
CL Resolver MCB 103)														BU			173
Safety PLC interface (MCB 108)														BZ			58
<b>SyncPos Options - see general FC 300 options</b>															CX		0
<b>D-options - none</b>																DX	0
24Vdc back-up																D0	46

Because of rounding totalprices can differ from the prices on the other side of this page.  
 Prices valid from June 1 2012

## FC302-P132 3x380-500V

CT 160%; 132 kW / 260 A

110%; 160 kW / 315 A

S2A Standard Version with class 2A RFI-filter

ST Standard version with class 1A RFI-filter

SB ST + brakechopper

	Article nr.	Price GBP	Article nr.	Price GBP	Article nr.	Price GBP
	S2A		ST		SB	
IP00 encl. - no display	131F2338	9515	131F2339	10687	131H0436	11458
IP00 encl. - no display + Profibus	131H0433	9623	131F7928	10795	131H0437	11566
IP00 encl. + Graphic Display	131B6842	9588	131B6843	10760	131B6548	11531
IP00 encl. + Graphic Display + Profibus	131B6844	9696	131B6845	10868	131H0440	11639
IP54 encl. + Graphic Display	131B6848	10795	131B6849	11967	131F2902	12738
IP54 encl. + Graphic Display + Profibus	131B6850	10903	131B6851	12076	131H0474	12846

### Accessories

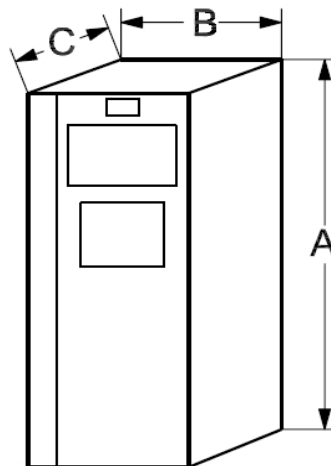
Brakeresistor IP20 3.6 ohm / 10% duty cycle	175U3084	888		
Brakeresistor IP20 3.6 ohm / 40% duty cycle	175U3225	3082	(2 pcs needed)	
Sine Wave Filter - IP20	130B3185	3821		
dU/dT Filter - IP23	130B2848	1512		

For all other accessories and options see the general FC 300 accessories/options page

Dimensions		A	B	C	Weight
IP00 enclosure	(type D4)	1277	408	373	112 kg
IP54 enclosure	(type D2)	1540	420	373	125 kg

Max. powerloss (heat dissipation) at full power (based on 160%) :

3425 Watt



# VLT AutomationDrive

# FC 302 132 kW 3x380-500V

FC302	PKxx	T5	Exx	H	x	x	x	x	x	x	x	SXXXX	Ax	Bx	Cx	Dx	Price GBP
<b>Power (Basic Price)</b>	↑		↑		↑	↑	↑	↑	↑	↑			↑	↑	↑	↑	
132 kW - 260 A	P132																9515
<b>Enclosure IP 00</b>			E00														0
IP21			E21														742
IP54			E54														1207
IP21 with extra shield			E2M														904
IP54 with extra shield			E5M														1370
<b>RFI-filter A2</b>				2													0
A1 RFI-filter				4													1172
Maritime use				6													1497
<b>Brakeresistor - none</b>					X												0
with					B												771
<b>Display - none</b>						X											0
with numeric display						N											33
with graphic display						G											73
<b>Coating - none</b>							X										0
incl. coating							C										264
<b>General Options - none</b>								X									0
Service switch + Fuses								3									1023
Service switch + Fuses + Loadsh.								5									1367
Fuses								7									312
Fuses + Loadsharing								A									655
Loadsharing								D									343
<b>Communication Options - None</b>													AX				0
Profibus (MCA 101)													A0				108
DeviceNet (MCA 104)													A4				81
CANOpen (MCA 105)													A6				81
Ethernet IP (MCA 121)													AN				222
<b>I/O Options - none</b>														BX			0
General I/O (MCB 101)														BK			69
Relay option (MCB 105)														BP			75
Encoder (MCB 102)														BR			151
CL Resolver MCB 103)														BU			173
Safety PLC interface (MCB 108)														BZ			58
<b>SyncPos Options - see general FC 300 options</b>															CX		0
<b>D-options - none</b>																DX	0
24Vdc back-up																D0	46

Because of rounding totalprices can differ from the prices on the other side of this page.  
 Prices valid from June 1 2012

## FC302-P160 3x380-500V

CT 160%; 160 kW / 315 A

110%; 200 kW / 395 A

S2A Standard Version with class 2A RFI-filter

ST Standard version with class 1A RFI-filter

SB ST + brakechopper

	Article nr.	Price GBP	Article nr.	Price GBP	Article nr.	Price GBP
	S2A		ST		SB	
IP00 encl. - no display	131F2349	11374	131F2350	12775	131H0480	13696
IP00 encl. - no display + Profibus	131H0476	11482	131H0478	12883	131H0481	13804
IP00 encl. + Graphic Display	131B6815	11447	131B6820	12848	131F2906	13769
IP00 encl. + Graphic Display + Profibus	131B6852	11555	131B6854	12956	131F5580	13878
IP54 encl. + Graphic Display	131B6858	12890	131B6859	14291	131F2903	15212
IP54 encl. + Graphic Display + Profibus	131B6860	12998	131B6861	14399	131H0490	15320

### Accessories

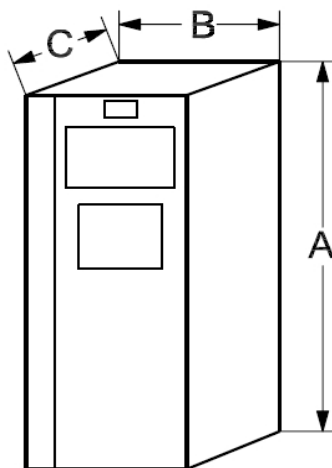
Brakeresistor IP20 2.7 ohm / 10% duty cycle	175U3088	1127		
Brakeresistor IP20 2.7 ohm / 40% duty cycle	175U3228	4028	(3 pcs needed)	
Sine Wave Filter - IP20	130B3187	5124		
dU/dT Filter - IP23	130B2848	1512		

For all other accessories and options see the general FC 300 accessories/options page

Dimensions		A	B	C	Weight
IP00 enclosure	(type D4)	1277	408	373	123 kg
IP54 enclosure	(type D2)	1540	420	373	136 kg

Max. powerloss (heat dissipation) at full power (based on 160%) :

3910 Watt



# VLT AutomationDrive

# FC 302 160 kW 3x380-500V

FC302	PKxx	T5	Exx	H	x	x	x	x	x	x	x	SXXXX	Ax	Bx	Cx	Dx	Price GBP
<b>Power (Basic Price)</b>	↑		↑	↑	↑	↑	↑	↑	↑	↑	↑		↑	↑	↑	↑	
160 kW - 315 A	P160																11374
<b>Enclosure IP 00</b>			E00														0
IP21			E21														888
IP54			E54														1443
IP21 with extra shield			E2M														1050
IP54 with extra shield			E5M														1605
<b>RFI-filter A2</b>				2													0
A1 RFI-filter				4													1401
Maritime use				6													1726
<b>Brakeresistor - none</b>					X												0
with					B												921
<b>Display - none</b>						X											0
with numeric display						N											33
with graphic display						G											73
<b>Coating - none</b>							X										0
incl. coating							C										264
<b>General Options - none</b>								X									0
Service switch + Fuses								3									1023
Service switch + Fuses + Loadsh.								5									1434
Fuses								7									312
Fuses + Loadsharing								A									722
Loadsharing								D									410
<b>Communication Options - None</b>													AX				0
Profibus (MCA 101)													A0				108
DeviceNet (MCA 104)													A4				81
CANOpen (MCA 105)													A6				81
Ethernet IP (MCA 121)													AN				222
<b>I/O Options - none</b>														BX			0
General I/O (MCB 101)														BK			69
Relay option (MCB 105)														BP			75
Encoder (MCB 102)														BR			151
CL Resolver MCB 103)														BU			173
Safety PLC interface (MCB 108)														BZ			58
<b>SyncPos Options - see general FC 300 options</b>															CX		0
<b>D-options - none</b>																DX	0
24Vdc back-up																D0	46

Because of rounding totalprices can differ from the prices on the other side of this page.  
 Prices valid from June 1 2012

# VLT AutomationDrive

## FC302-P200 3x380-500V

CT 160%; 200 kW / 395 A

110%; 250 kW / 480 A

S2A Standard Version with class 2A RFI-filter

ST Standard version with class 1A RFI-filter

SB ST + brakechopper

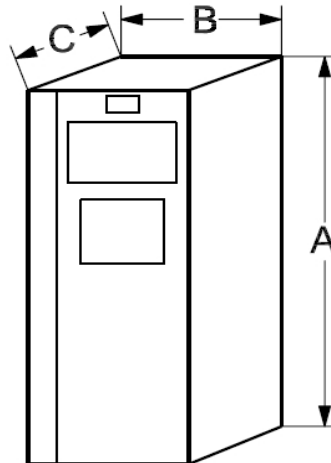
	Article nr.	Price GBP	Article nr.	Price GBP	Article nr.	Price GBP
	S2A		ST		SB	
IP00 encl. - no display	131F2354	13581	131F2352	15253	131H0504	16354
IP00 encl. - no display + Profibus	131H0500	13689	131H0502	15362	131H0505	16462
IP00 encl. + Graphic Display	131B6418	13654	131B6862	15327	131F2221	16427
IP00 encl. + Graphic Display + Profibus	131B6863	13762	131B6864	15435	131H0508	16535
IP54 encl. + Graphic Display	131B6867	15377	131B6868	17050	131F2241	18150
IP54 encl. + Graphic Display + Profibus	131B6869	15486	131B6870	17158	131H0514	18259

### Accessories

Brakeresistor IP20 2.1 ohm / 10% duty cycle	175U3091	1319
Brakeresistor IP20 2.1 Ohm / 40% duty cycle	175U3230	3109
Sine Wave Filter - IP20	130B3187	5124
dU/dT Filter - IP23	130B2850	1782

For all other accessories and options see the general FC 300 accessories/options page

Dimensions		A	B	C	Weight
IP00 enclosure	(type D4)	1277	408	373	138 kg
IP54 enclosure	(type D2)	1540	420	373	151 kg
Max. powerloss (heat dissipation) at full power (based on 160%) :					4625 Watt



# VLT AutomationDrive

# FC 302 200 kW 3x380-500V

FC302	PKxx	T5	Exx	H	x	x	x	x	x	x	x	SXXXX	Ax	Bx	Cx	Dx	Price GBP
<b>Power (Basic Price)</b>	↑		↑		↑	↑	↑	↑	↑	↑	↑		↑	↑	↑	↑	
200 kW - 395 A	P200																13581
<b>Enclosure IP 00</b>			E00														0
IP21			E21														1060
IP54			E54														1723
IP21 with extra shield			E2M														1222
IP54 with extra shield			E5M														1885
<b>RFI-filter A2</b>				2													0
A1 RFI-filter				4													1673
Maritime use				6													1997
<b>Brakeresistor - none</b>					X												0
with					B												1100
<b>Display - none</b>						X											0
with numeric display						N											33
with graphic display						G											73
<b>Coating - none</b>							X										0
incl. coating							C										264
<b>General Options - none</b>								X									0
Service switch + Fuses								3									1023
Service switch + Fuses + Loadsh.								5									1514
Fuses								7									312
Fuses + Loadsharing								A									801
Loadsharing								D									491
<b>Communication Options - None</b>													AX				0
Profibus (MCA 101)													A0				108
DeviceNet (MCA 104)													A4				81
CANOpen (MCA 105)													A6				81
Ethernet IP (MCA 121)													AN				222
<b>I/O Options - none</b>														BX			0
General I/O (MCB 101)														BK			69
Relay option (MCB 105)														BP			75
Encoder (MCB 102)														BR			151
CL Resolver MCB 103)														BU			173
Safety PLC interface (MCB 108)														BZ			58
<b>SyncPos Options - see general FC 300 options</b>															CX		0
<b>D-options - none</b>																DX	0
24Vdc back-up																D0	46

Because of rounding totalprices can differ from the prices on the other side of this page.  
 Prices valid from June 1 2012



# VLT AutomationDrive

## FC302-P250 3x380-500V

CT 160%; 250 kW / 480 A

110%; 315 kW / 600 A

S2A Standard Version with class 2A RFI-filter

ST Standard version with class 1A RFI-filter

SB ST + brakechopper

	Article nr.	Price GBP	Article nr.	Price GBP	Article nr.	Price GBP
	S2A		ST		SB	
IP00 encl. + Graphic Display	131B3541	16436	131B6871	18459	131F2341	19784
IP00 encl. + Graphic Display + Profibus	131B6872	16543	131B6873	18567	131F2381	19892
IP54 encl. + Graphic Display	131B6877	18510	131B6878	20533	131F2371	21858
IP54 encl. + Graphic Display + Profibus	131B6879	18618	131B6880	20641	131F2490	21966

### Accessories

Brakeresistor IP20 1.7 ohm / 10% duty cycle 175U3093 1624

Sine Wave Filter - IP20 130B3189 6162

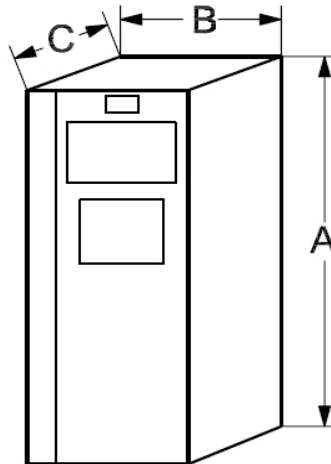
dU/dT Filter - IP23 130B2850 1782

For all other accessories and options see the general FC 300 accessories/options page

Dimensions		A	B	C	Weight
IP00 enclosure	(type E2)	1499	585	494	221 kg
IP54 enclosure	(type E1)	2000	600	494	263 kg

Max. powerloss (heat dissipation) at full power (based on 160%) :

6005 Watt



# VLT AutomationDrive

# FC 302 250 kW 3x380-500V

FC302	PKxx	T5	Exx	H	x	x	x	x	x	x	x	SXXXX	Ax	Bx	Cx	Dx	Price GBP
<b>Power (Basic Price)</b>	↑		↑		↑	↑	↑	↑	↑	↑	↑		↑	↑	↑	↑	
250 kW - 480 A	P250																16361
<b>Enclosure IP 00</b>			E00														0
IP21			E21														1277
IP54			E54														2074
IP21 with extra shield			E2M														1710
IP54 with extra shield			E5M														2507
<b>RFI-filter A2</b>				2													0
A1 RFI-filter				4													2024
<b>Brakeresistor - none</b>					X												0
with					B												1325
<b>Display - none</b>						X											0
with numeric display						N											33
with graphic display						G											73
<b>Coating - none</b>							X										0
incl. coating							C										0
<b>General Options - none</b>								X									0
Service switch + Fuses								3									2584
Service switch + Fuses + Loadsh.								5									3176
Fuses								7									504
Fuses + Loadsharing								A									1095
Loadsharing								D									591
<b>Communication Options - None</b>													AX				0
Profibus (MCA 101)													A0				108
DeviceNet (MCA 104)													A4				81
CANOpen (MCA 105)													A6				81
Ethernet IP (MCA 121)													AN				222
<b>I/O Options - none</b>														BX			0
General I/O (MCB 101)														BK			69
Relay option (MCB 105)														BP			75
Encoder (MCB 102)														BR			151
CL Resolver MCB 103)														BU			173
Safety PLC interface (MCB 108)														BZ			58
<b>SyncPos Options - see general FC 300 options</b>															CX		0
<b>D-options - none</b>																DX	0
24Vdc back-up																D0	46

Because of rounding totalprices can differ from the prices on the other side of this page.  
 Prices valid from June 1 2012

# VLT AutomationDrive

## FC302-P315 3x380-500V

CT 160%; 315 kW / 600 A

110%; 355 kW / 658 A

S2A Standard Version with class 2A RFI-filter

ST Standard version with class 1A RFI-filter

SB ST + brakechopper

	Article nr.	Price GBP	Article nr.	Price GBP	Article nr.	Price GBP
	S2A		ST		SB	
IP00 encl. + Graphic Display	131B6881	19392	131B6882	21780	131F2342	23344
IP00 encl. + Graphic Display + Profibus	131B6883	19500	131B6884	21888	131F2382	23453
IP54 encl. + Graphic Display	131B6889	21841	131B6890	24229	131F2372	25794
IP54 encl. + Graphic Display + Profibus	131B6891	21949	131B6892	24338	131F2491	25902

### Accessories

Brakeresistor IP20 1,3 ohm / 10% duty cycle 175U3097 1933

Sine Wave Filter - IP20 130B3192 7947

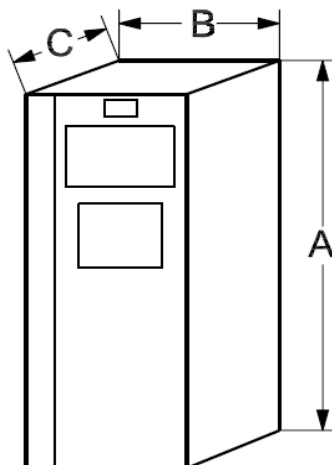
dU/dT Filter - IP23 130B2852 2160

For all other accessories and options see the general FC 300 accessories/options page

Dimensions		A	B	C	Weight
IP00 enclosure	(type E2)	1499	585	494	234 kg
IP54 enclosure	(type E1)	2000	600	494	270 kg

Max. powerloss (heat dissipation) at full power (based on 160%) :

6960 Watt



# VLT AutomationDrive

# FC 302 315 kW 3x380-500V

FC302	PKxx	T5	Exx	H	x	x	x	x	x	x	x	SXXXX	Ax	Bx	Cx	Dx	Price GBP
<b>Power (Basic Price)</b>																	
315 kW - 600 A	P315																19317
<b>Enclosure IP 00</b>			E00														0
IP21			E21														1507
IP54			E54														2450
IP21 with extra shield			E2M														1940
IP54 with extra shield			E5M														2880
<b>RFI-filter A2</b>				2													0
A1 RFI-filter				4													2388
<b>Brakeresistor - none</b>					X												0
with					B												1565
<b>Display - none</b>						X											0
with numeric display						N											33
with graphic display						G											73
<b>Coating - none</b>							X										0
incl. coating							C										0
<b>General Options - none</b>								X									0
Service switch + Fuses								3									2584
Service switch + Fuses + Loadsh.								5									3282
Fuses								7									504
Fuses + Loadsharing								A									1201
Loadsharing								D									696
<b>Communication Options - None</b>													AX				0
Profibus (MCA 101)													A0				108
DeviceNet (MCA 104)													A4				81
CANOpen (MCA 105)													A6				81
Ethernet IP (MCA 121)													AN				222
<b>I/O Options - none</b>														BX			0
General I/O (MCB 101)														BK			69
Relay option (MCB 105)														BP			75
Encoder (MCB 102)														BR			151
CL Resolver MCB 103)														BU			173
Safety PLC interface (MCB 108)														BZ			58
<b>SyncPos Options - see general FC 300 options</b>															CX		0
<b>D-options - none</b>																DX	0
24Vdc back-up																D0	46

Because of rounding totalprices can differ from the prices on the other side of this page.  
 Prices valid from June 1 2012

# VLT AutomationDrive

## FC302-P355 3x380-500V

CT 160%; 355 kW / 658 A

110%; 400 kW / 745 A

S2A Standard Version with class 2A RFI-filter

ST Standard version with class 1A RFI-filter

SB ST + brakechopper

	Article nr.	Price GBP	Article nr.	Price GBP	Article nr.	Price GBP
	S2A		ST		SB	
IP00 incl. + Graphic Display	131B6893	21929	131B6894	24641	131F2343	26411
IP00 incl. + Graphic Display + Profibus	131B6895	22037	131B6896	24749	131F2383	26519
IP54 incl. + Graphic Display	131B6901	24701	131B6902	27413	131F2373	29183
IP54 incl. + Graphic Display + Profibus	131B6903	24809	131B6904	27521	131F2492	29291

### Accessories

Brakeresistor IP20 1,2 ohm / 10% duty cycle 175U3098 2285

Sine Wave Filter - IP20 130B3192 7947

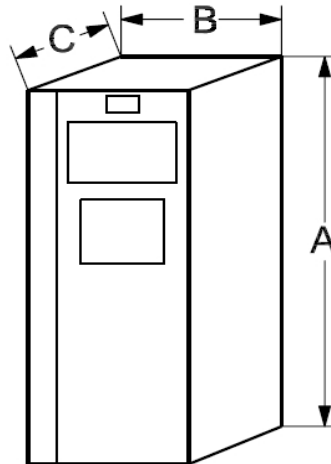
dU/dT Filter - IP23 130B2852 2160

For all other accessories and options see the general FC 300 accessories/options page

Dimensions		A	B	C	Weight
IP00 enclosure	(type E2)	1499	585	494	236 kg
IP54 enclosure	(type E1)	2000	600	494	272 kg

Max. powerloss (heat dissipation) at full power (based on 160%) :

7691 Watt



# VLT AutomationDrive

# FC 302 355 kW 3x380-500V

FC302	PKxx	T5	Exx	H	x	x	x	x	x	x	x	SXXXX	Ax	Bx	Cx	Dx	Price GBP
<b>Power (Basic Price)</b>	↑		↑		↑	↑	↑	↑	↑	↑	↑		↑	↑	↑	↑	
355 kW - 658 A	P355																21856
<b>Enclosure IP 00</b>			E00														0
IP21			E21														1707
IP54			E54														2772
IP21 with extra shield			E2M														2138
IP54 with extra shield			E5M														3203
<b>RFI-filter A2</b>				2													0
A1 RFI-filter				4													2711
<b>Brakeresistor - none</b>					X												0
with					B												1770
<b>Display - none</b>						X											0
with numeric display						N											33
with graphic display						G											73
<b>Coating - none</b>							X										0
incl. coating							C										0
<b>General Options - none</b>								X									0
Service switch + Fuses								3									2584
Service switch + Fuses + Loadsh.								5									3373
Fuses								7									504
Fuses + Loadsharing								A									1292
Loadsharing								D									789
<b>Communication Options - None</b>													AX				0
Profibus (MCA 101)													A0				108
DeviceNet (MCA 104)													A4				81
CANOpen (MCA 105)													A6				81
Ethernet IP (MCA 121)													AN				222
<b>I/O Options - none</b>														BX			0
General I/O (MCB 101)														BK			69
Relay option (MCB 105)														BP			75
Encoder (MCB 102)														BR			151
CL Resolver MCB 103)														BU			173
Safety PLC interface (MCB 108)														BZ			58
<b>SyncPos Options - see general FC 300 options</b>															CX		0
<b>D-options - none</b>																DX	0
24Vdc back-up																D0	46

Because of rounding totalprices can differ from the prices on the other side of this page.  
 Prices valid from June 1 2012

# VLT AutomationDrive

## FC302-P400 3x380-500V

CT 160%; 400 kW / 695 A

110%; 450 kW / 800 A

S2A Standard Version with class 2A RFI-filter

ST Standard version with class 1A RFI-filter

SB ST + brakechopper

	Article nr.	Price GBP	Article nr.	Price GBP	Article nr.	Price GBP
	S2A		ST		SB	
IP00 incl. + Graphic Display	131B6905	26068	131B6906	29180	131F2344	31285
IP00 incl. + Graphic Display + Profibus	131B6907	26176	131B6908	29288	131F2384	31393
IP54 incl. + Graphic Display	131B6913	29364	131B6914	32476	131F2374	34581
IP54 incl. + Graphic Display + Profibus	131B6915	29472	131B6916	32584	131F2493	34690

### Accessories

Brakeresistor IP20 1,1 ohm / 10% duty cycle 175U3099 2534

Sine Wave Filter - IP20 130B3194 9572

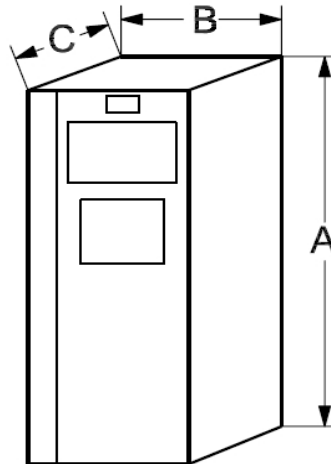
dU/dT Filter - IP23 130B2854 4320

For all other accessories and options see the general FC 300 accessories/options page

Dimensions		A	B	C	Weight
IP00 enclosure	(type E2)	1499	585	494	277 kg
IP54 enclosure	(type E1)	2000	600	494	313 kg

Max. powerloss (heat dissipation) at full power (based on 160%) :

7964 Watt



# VLT AutomationDrive

# FC 302 400 kW 3x380-500V

FC302	PKxx	T5	Exx	H	x	x	x	x	x	x	x	SXXXX	Ax	Bx	Cx	Dx	Price GBP	
<b>Power (Basic Price)</b>																		
400 kW - 695 A	P400																	25994
<b>Enclosure IP 00</b>			E00															0
IP21			E21															2029
IP54			E54															3297
IP21 with extra shield			E2M															2461
IP54 with extra shield			E5M															3729
<b>RFI-filter A2</b>				2														0
A1 RFI-filter				4														3112
<b>Brakeresistor - none</b>					X													0
with					B													2105
<b>Display - none</b>						X												0
with numeric display						N												33
with graphic display						G												73
<b>Coating - none</b>							X											0
incl. coating							C											0
<b>General Options - none</b>								X										0
Service switch + Fuses								3										2584
Service switch + Fuses + Loadsh.								5										3522
Fuses								7										504
Fuses + Loadsharing								A										1442
Loadsharing								D										938
<b>Communication Options - None</b>													AX					0
Profibus (MCA 101)													A0					108
DeviceNet (MCA 104)													A4					81
CANOpen (MCA 105)													A6					81
Ethernet IP (MCA 121)													AN					222
<b>I/O Options - none</b>														BX				0
General I/O (MCB 101)														BK				69
Relay option (MCB 105)														BP				75
Encoder (MCB 102)														BR				151
CL Resolver MCB 103)														BU				173
Safety PLC interface (MCB 108)														BZ				58
<b>SyncPos Options - see general FC 300 options</b>															CX			0
<b>D-options - none</b>																DX		0
24Vdc back-up																D0		46

Because of rounding totalprices can differ from the prices on the other side of this page.  
 Prices valid from June 1 2012



# VLT AutomationDrive

## General Options for the VLT AutomationDrive

Description	Model	Code	Article nr.	Price GBP
<b>Fieldbus options</b>				
Profibus (MCA 101)	MCA101	A0	130B1100	112
Profibus - coated	MCA101		130B1200	127
Profibus - top entry	MCA101	A1		
DeviceNet (MCA 104)	MCA104	A4	130B1102	85
DeviceNet - coated	MCA104		130B1202	100
DeviceNet - top entry	MCA104	A5		
CANOpen (MCA 105)	MCA105	A6	130B1103	85
CANOpen - coated	MCA105		130B1205	94
CANOpen - top entry	MCA105	A7		
Ethernet IP (MCA 121)	MCA121	AN	130B1119	230
Profibus - converter	VLT3000	AT	130B1245	229
<b>Input/Output options</b>				
General I/O	MCB101	BK	130B1125	72
General I/O - coated	MCB101		130B1212	86
Encoder (MCB 102)	MCB102	BR	130B1115	157
Encoder - coated	MCB102		130B1203	171
CL Resolver MCB 103)	MCB103	BU	130B1127	180
CL Resolver - coated	MCB103		130B1227	194
Relay option (MCB 105)	MCB105	BP	130B1110	78
Relay option - coated	MCB105		130B1210	92
24V option		D0	130B1108	48
24V option - coated	MCB107		130B1208	61
Safety PLC interface (MCB 108)	MCB108	BZ	130B1120	60
ATEX PTC Thermistor Option - coated	MCB112	B2	130B1137	109
External Relay option	MCB113	BP	130B1164	174
External Relay option - coated	MCB113		130B1264	189
<b>Progr. Motion Control options</b>				
SyncPos	MCO305	C4	130B1134	338
SyncPos - coated	MCO305		130B1234	374
Synchronisation controller (only in combination with MCO305)	MCO350	10	130B1152	451
Synchronisation contr. (only in comb. with MCO305) - coated	MCO350		130B1252	487
Positioning controller (only in combination with MCO305)	MCO351	11	130B1153	451
Positioning contr. (only in comb. with MCO305) - coated	MCO351		130B1253	487
Center Winder (only in combination with MCO305)	MCO352	12	130B1165	451
Center Winder (only in comb. with MCO305) - coated	MCO352		130B1166	487

Danfoss VLT Drives

0870 241 7100

Configure your drive with our Drive Configurator

[www.driveconfigurator.com](http://www.driveconfigurator.com)

# VLT AutomationDrive

## General Options for the VLT AutomationDrive

Description	Article nr.	Price GBP
<b>Display options</b>		
Numeric display LCP101	130B1124	34
Graphic display LCP102	130B1107	76
LCP-kit for remote mounting of display (incl. 3 mtr cable, excl. display)	130B1117	39
LCP-kit for remote mounting of display (incl. numeric display LCP101 + 3 mtr cable)	130B1114	72
LCP-kit for remote mounting of display (incl. graphic display LCP102 + 3 mtr cable)	130B1113	114
LCP-cable (length 3 meters incl. connectors)	175Z0929	16
<b>Backplates</b>		
Backplate A5 IP55 / Nema 12	130B1098	12
Backplate B1 IP21 / IP55 / Nema 12	130B3383	12
Backplate B2 IP21 / IP55 / Nema 12	130B3397	15
Backplate C1 IP21 / IP55 / Nema 12	130B3910	15
Backplate C2 IP21 / IP55 / Nema 12	130B3911	19
<b>Backplates RVS</b>		
Backplate A5 IP66 / Nema 4x	130B3242	37
Backplate B1 IP66 / Nema 4x	130B3434	40
Backplate B2 IP66 / Nema 4x	130B3465	42
Backplate C1 IP66 / Nema 4x	130B3468	61
Backplate C2 IP66 / Nema 4x	130B3491	86
<b>Accessories</b>		
Mounting frame for 1 brakeresistor (A2)	175U0085	42
Mounting frame for 1 brakeresistor (A3)	175U0088	42
Mounting frame for 2 brakeresistors (A2)	175U0087	42
Mounting frame for 2 brakeresistors (A3)	175U0086	43
Floorstand for IP21/IP54 frames	176F1827	563

# VLT AutomationDrive

## General Options for the VLT AutomationDrive

Description	Model	Code	Article nr.	Price GBP
<b>Progr. Motion Control options</b>				
SyncPos controller (free programmable)	MCO305	C4		
SyncPos controller (free programmable) - coated	MCO305			
Synchronisatie controller (incl. program)	MCO350	10	130B1152	
Synchronisatie controller (incl. program) - coated	MCO350		130B1252	
Positioning controller (incl. program)	MCO351	11	130B1153	
Positioning controller (incl. program) - coated	MCO351		130B1253	
Center winder controller (incl. program)	MCO352	12	130B1165	
Center winder controller (incl. program) - coated	MCO352		130B1166	
Mounting kit MC-option, for A2 and A3 drives	MCF 105		130B7530	51
Mounting kit MC-option, for A5 drives	MCF 105		130B7532	51
Mounting kit MC-option, for B and C drives	MCF 105		130B7533	51

For information contact  
Danfoss

Danfoss VLT Drives

0870 241 7100

Configure your drive with our Drive Configurator

[www.driveconfigurator.com](http://www.driveconfigurator.com)

# VLT AutomationDrive

## Rittal options

Description	Article nr.	Price GBP
Airducts for Frame D1 - Rittal TS8 1800 mm	176F1824	404
Airducts for Frame D1 - Rittal TS8 2000 mm	176F1826	439
Airducts for Frame D2 - Rittal TS8 1800 mm	176F1823	405
Airducts for Frame D2 - Rittal TS8 2000 mm	176F1825	439
Airducts for Frame E1 - Rittal TS8 2000 mm	176F1850	822
Vented Plinth front panel for Rittal TS8 600mm x 100mm	176F0273	66
Vented Plinth front panel for Rittal TS8 800mm x 100mm	176F0274	77
Vented Plinth front panel for Rittal TS8 600mm x 200mm	176F0275	90
Vented Plinth front panel for Rittal TS8 800mm x 200mm	176F0276	100
Vented Plinth front panel for Rittal TS8 1000mm x 100mm	176F0277	91
Vented Plinth front panel for Rittal TS8 1200mm x 100mm	176F0278	128